



Scania R&S 2016-

Mounting instructions

Art. 864616770, 864616771

Lamp holder HYDRA, High, LED

Scan the QR code
for translated
instructions or visit
metec.ee/instructions



Weight: 22,2 kg (lamp holder); 11,0 kg (wings)

Time of mounting w/o wiring: 120 min

Required tools:



A2 / A4

M8 - 17 Nm

Scania R&S 2016-

Art. 864616770, 864616771

Lamp holder HYDRA, High, LED

Lamp holder

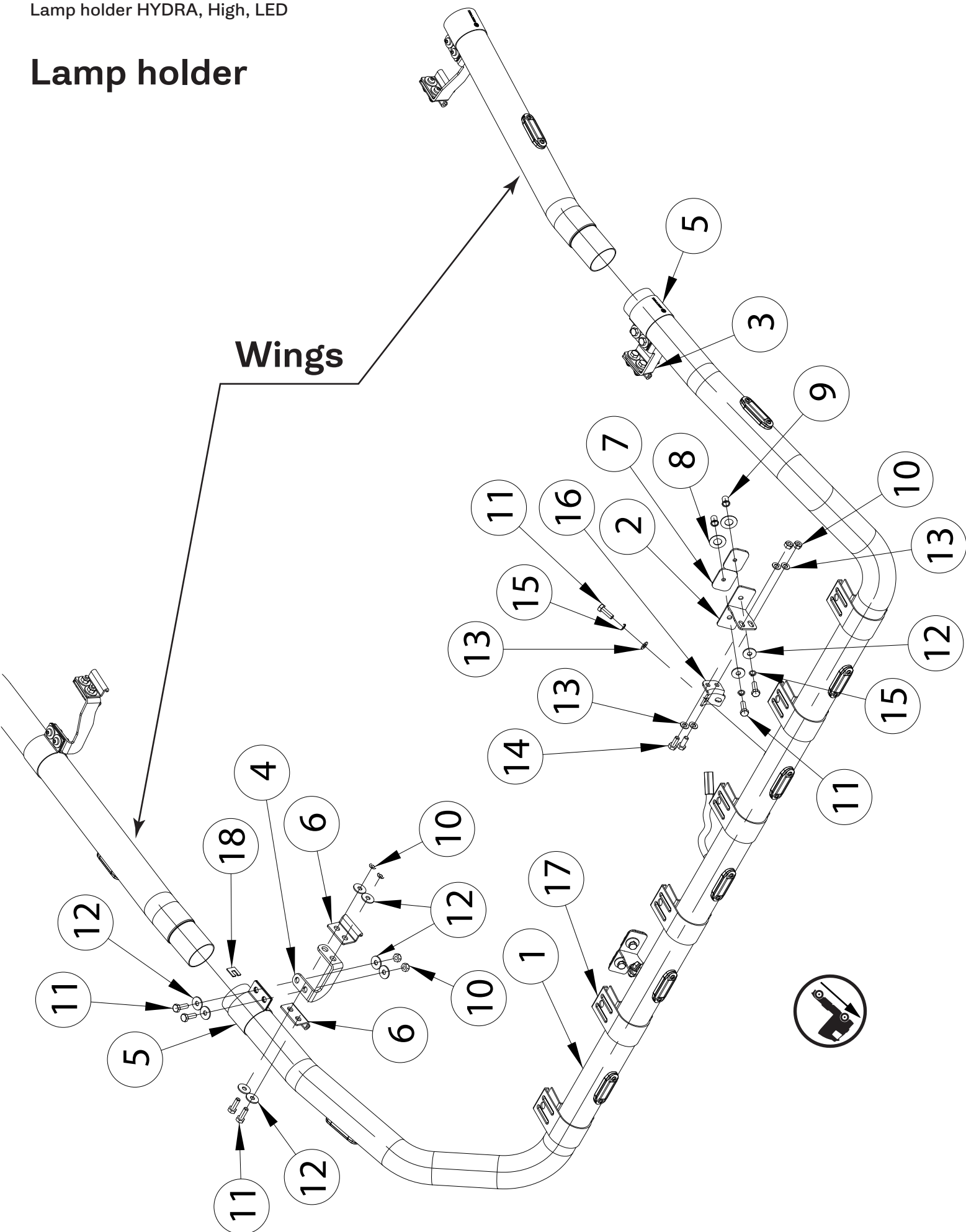
Pos	Description	QTY
1.	Lamp holder	1
2.	Bracket	2
3.	Bracket	1
4.	Bracket	1
5.	Clamp	2
6.	Clamp	4
7.	Rubber washer 50x35x3	4
8.	Rubber washer d=30/15	4
9.	Rivet nut M8x11x16 A2	4
10.	Nut M8 DIN985-A2	12
11.	Bolt M8x25 DIN933-A2	16
12.	Flat Washer 8,4x24x2	20
13.	Flat Washer 8,4x16x1,6	12
14.	Bolt M8x20 DIN933-A2	4
15.	Spring washer A8	8
16.	Bolt bracket	2
17.	Clamp for lamp	6
18.	Brace-it installation tool	2

Wings

Pos	Description	QTY
1.	Tube	1
2.	Tube	1
3.	Clamp	4
4.	Clamp	4
5.	Bracket	1
6.	Bracket	1
7.	Bracket	1
8.	Bracket	1
9.	Stencil	2
10.	Compensator	4
11.	Bolt M8x25 DIN7380-A2	12
12.	Bolt M8x35 DIN985-A2	4
13.	Flat Washer 8,4x24x2	32
14.	Nut M8 DIN985-A2	16
15*.	Plate	2

* - Only for a lower spoiler version (S)

Lamp holder



Scania R/S 2016-

Art. 864616770, 864616771

Lamp holder HYDRA, High, LED

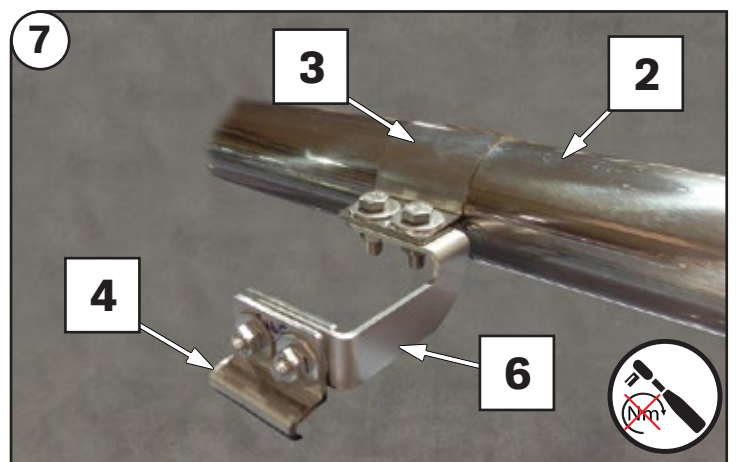
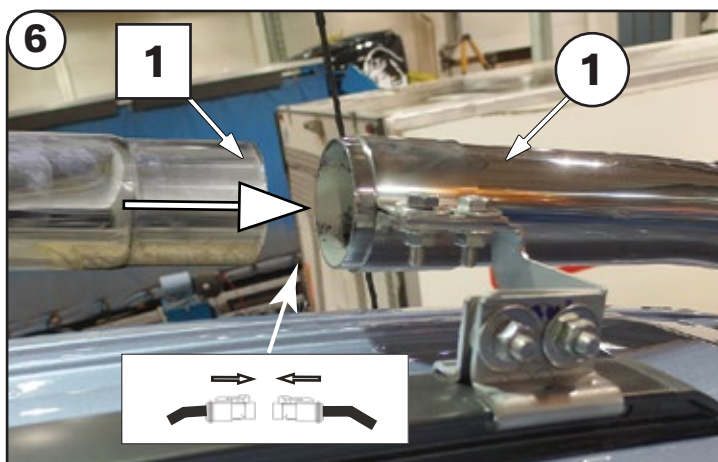
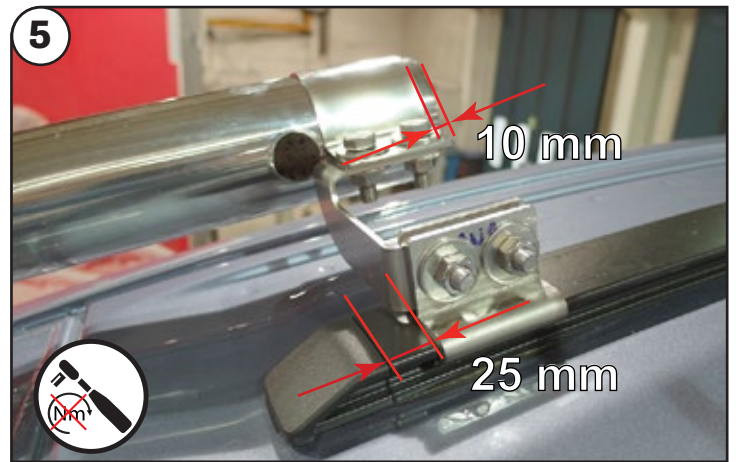
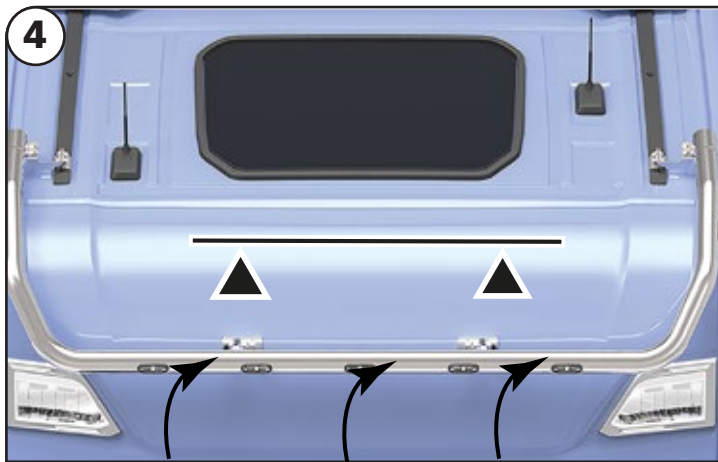
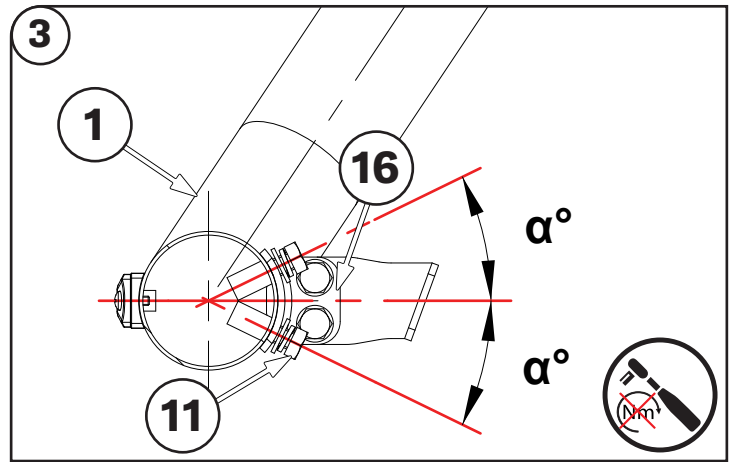
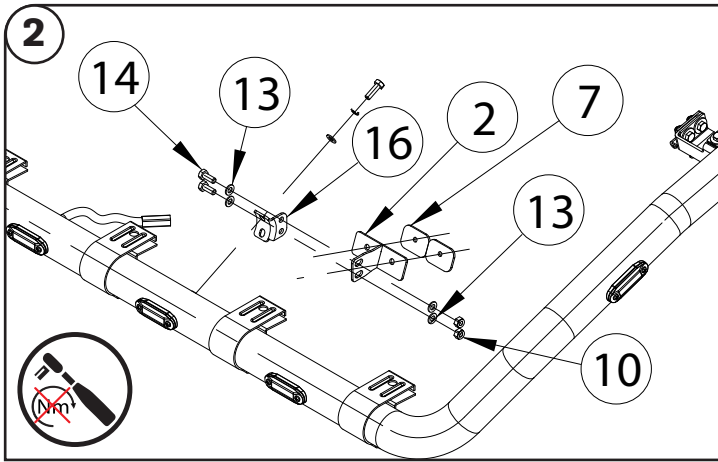
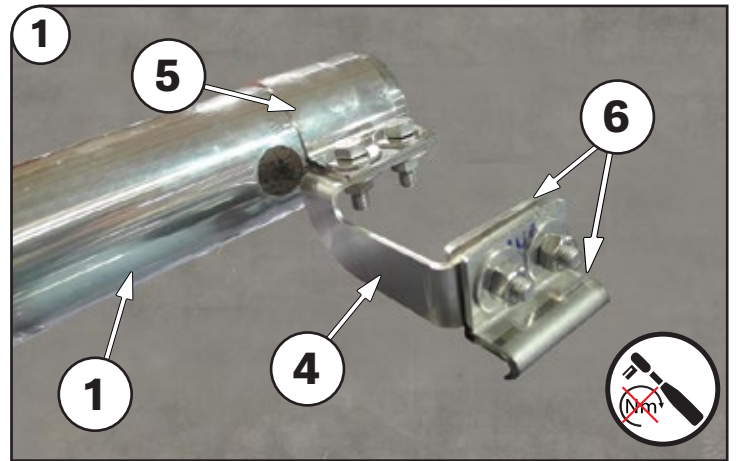
NB!



To prevent cold welding, use cold weld grease or engine oil



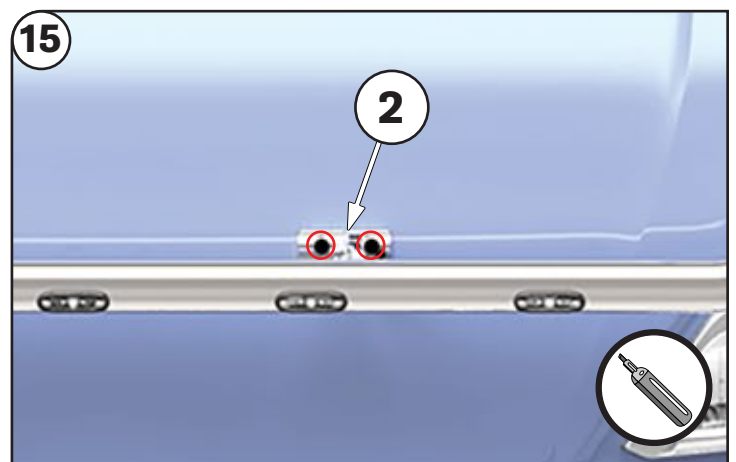
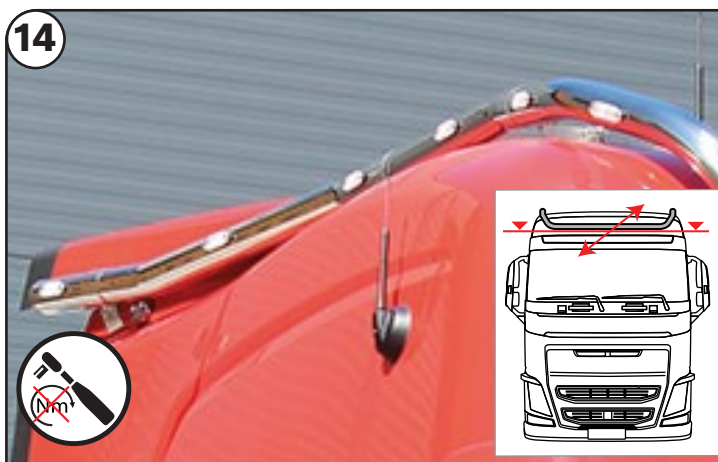
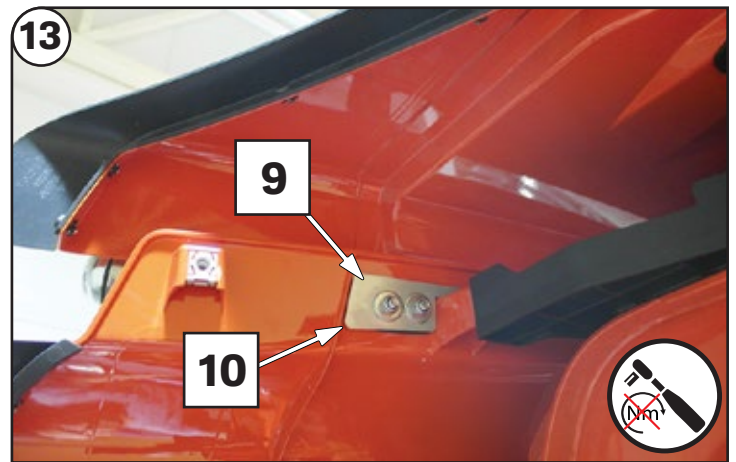
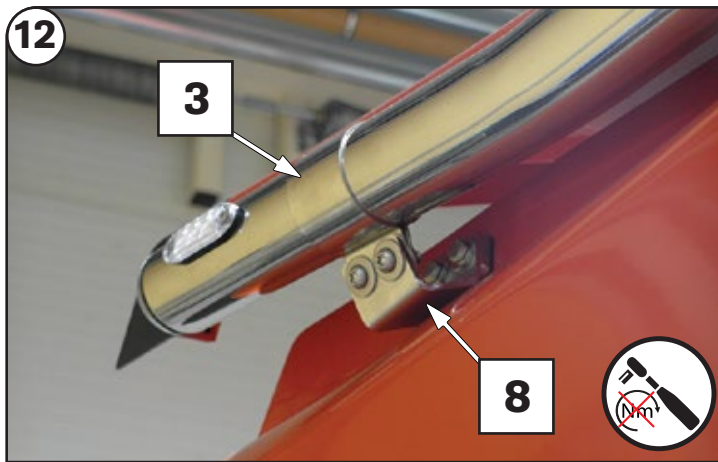
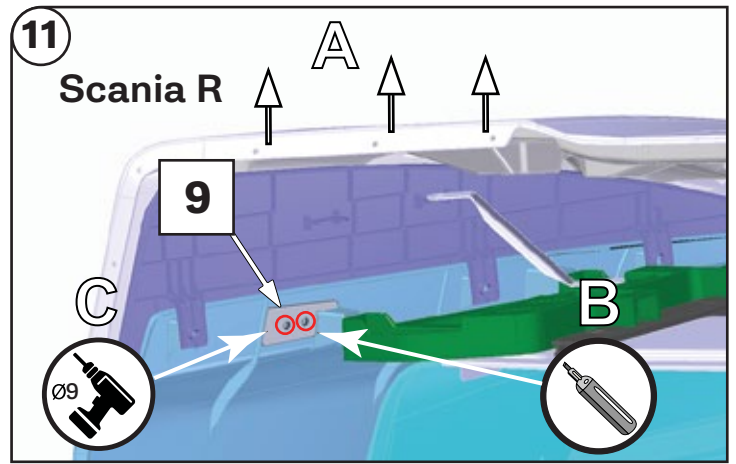
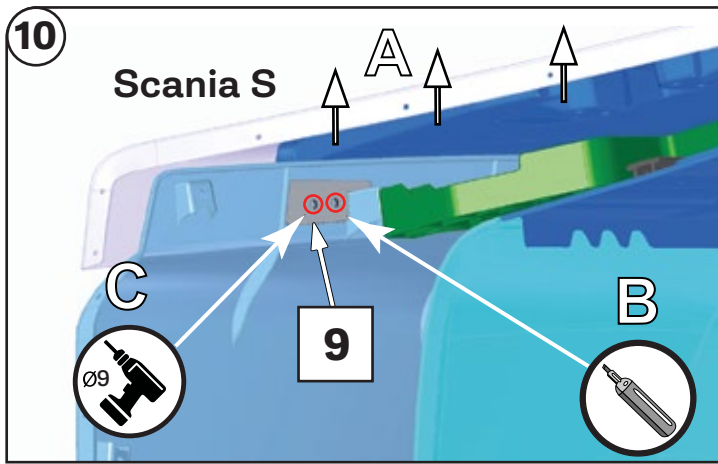
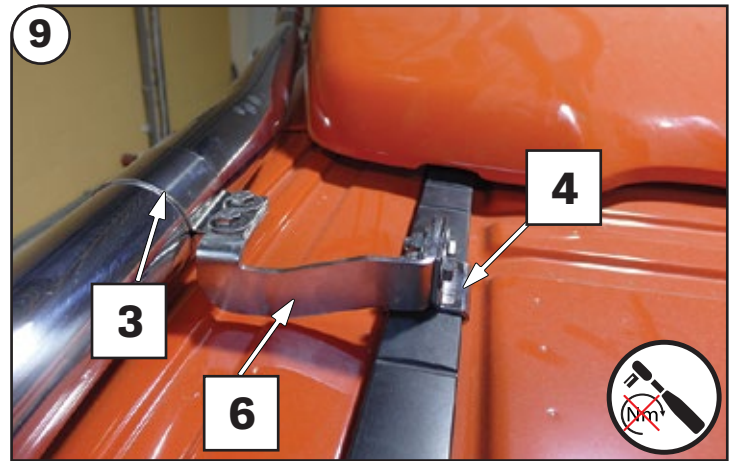
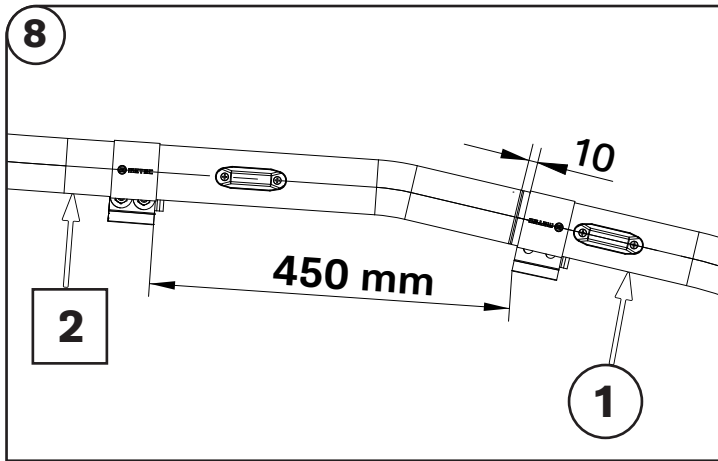
Installation of the lights must be carried out by a qualified electrician only



Scania R/S 2016-

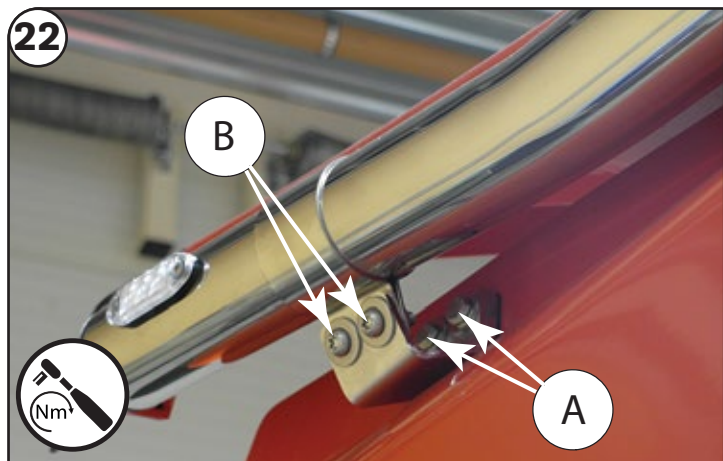
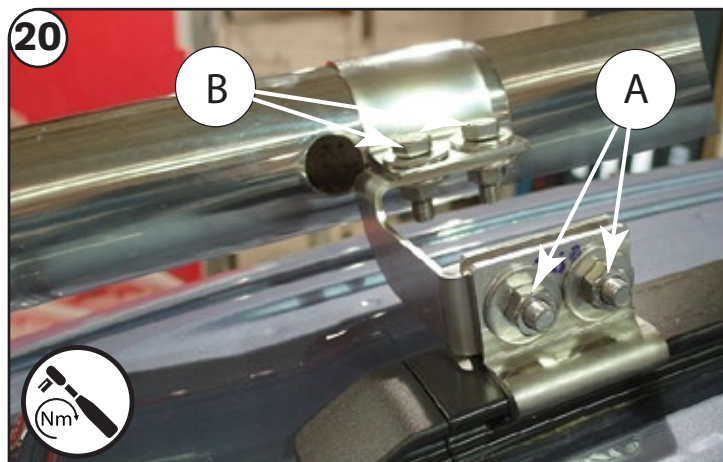
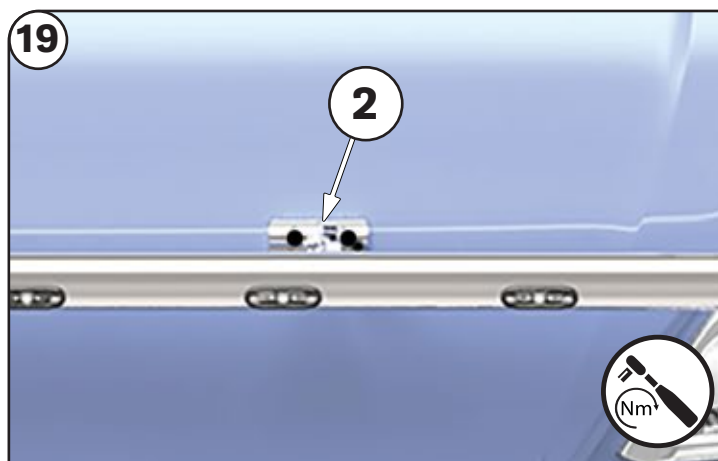
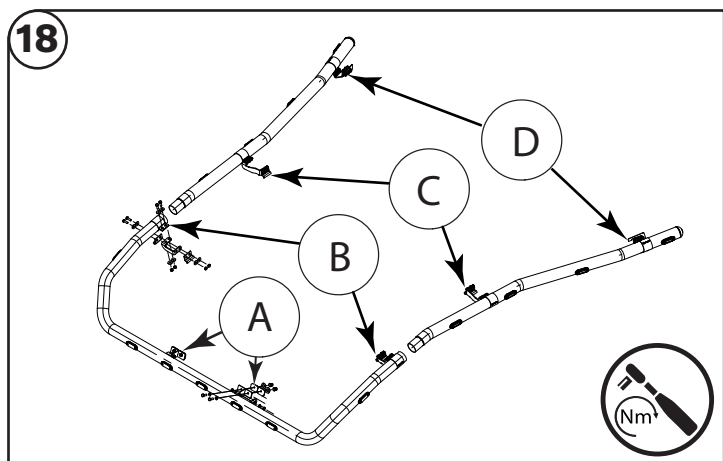
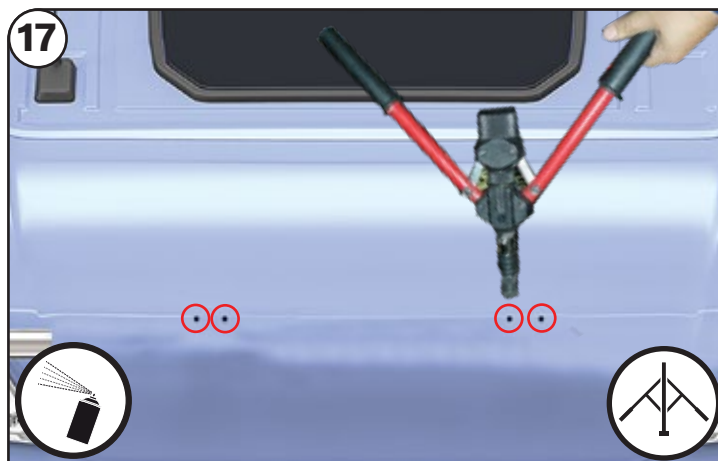
Art. 864616770, 864616771


Lamp holder HYRDA, High, LED




Scania R/S 2016-

Art. 864616770, 864616771
Lamp holder HYDRA, High, LED

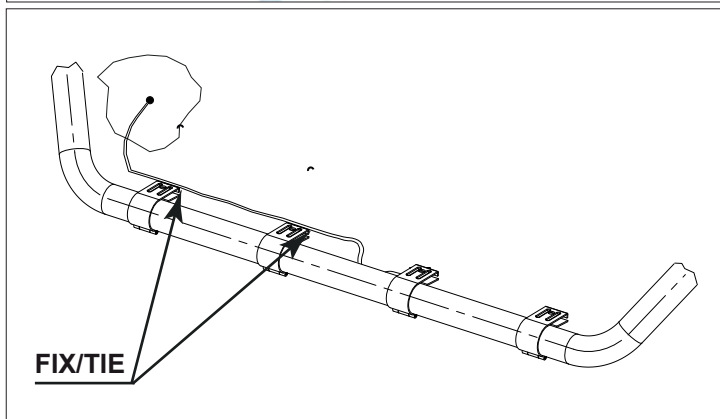
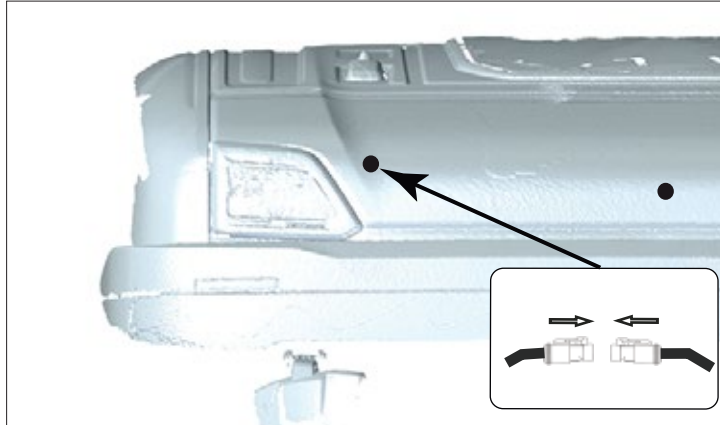
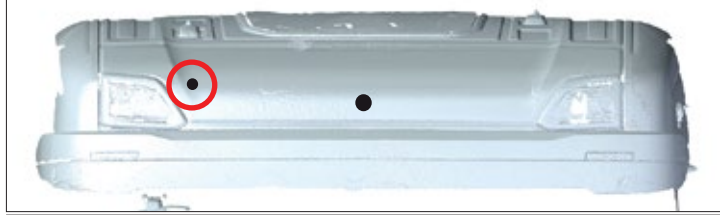


 Check and retighten the fasteners:
Road vehicles: every 10 000km
Heavy machinery: every 500 work hours

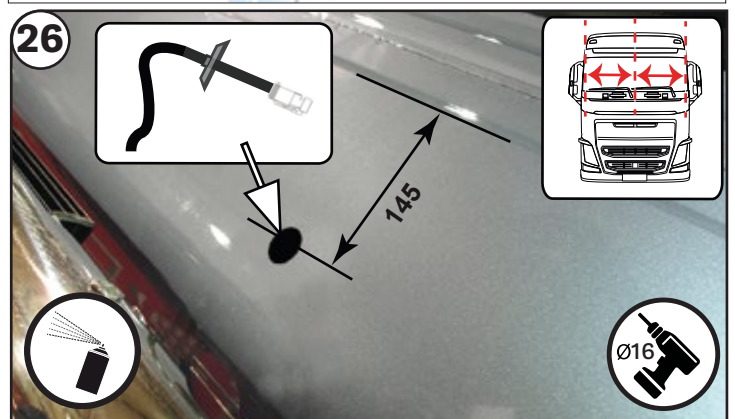
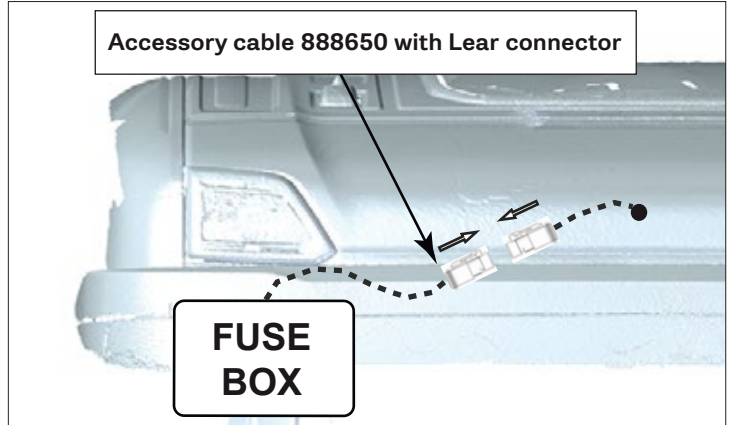
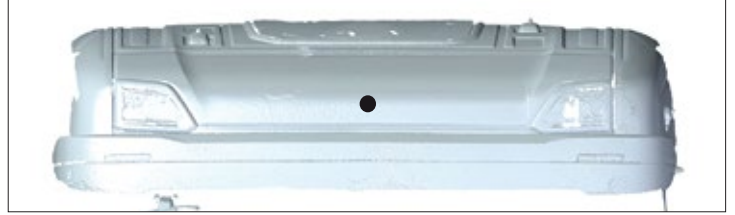
 Clean the product twice a month to remove dirt, salt, and debris that may cause surface discoloration or rust spots

In case of any defects or damage to the METEC product upon delivery, contact the reseller or point of sale where you made your purchase for resolution

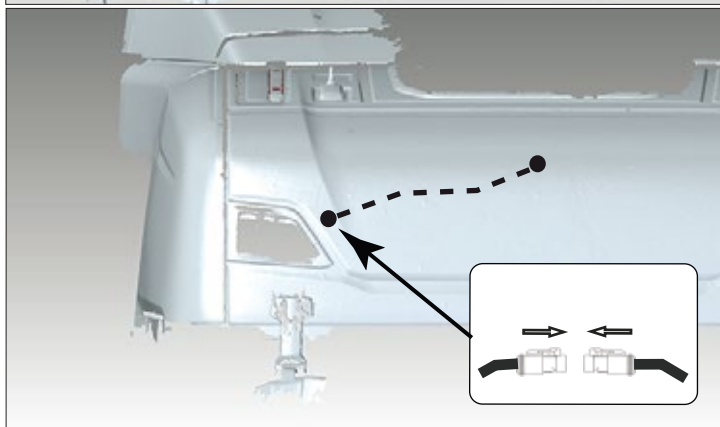
A PREWIRED FROM FACTORY
NORMAL



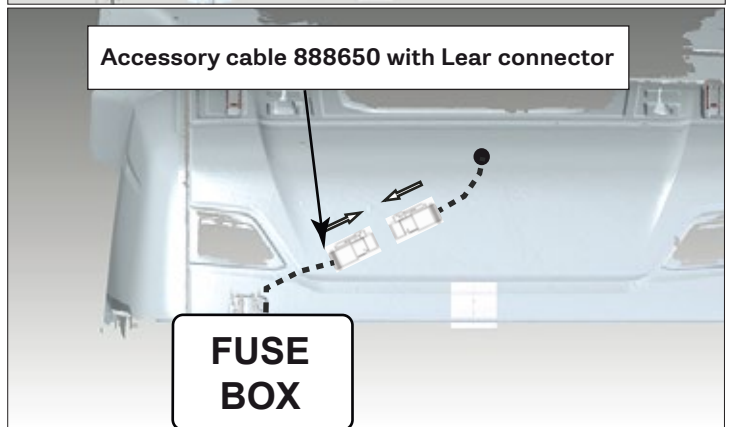
B TRUCK WITHOUT PREWIRING
NORMAL



A PREWIRED FROM FACTORY
HIGH

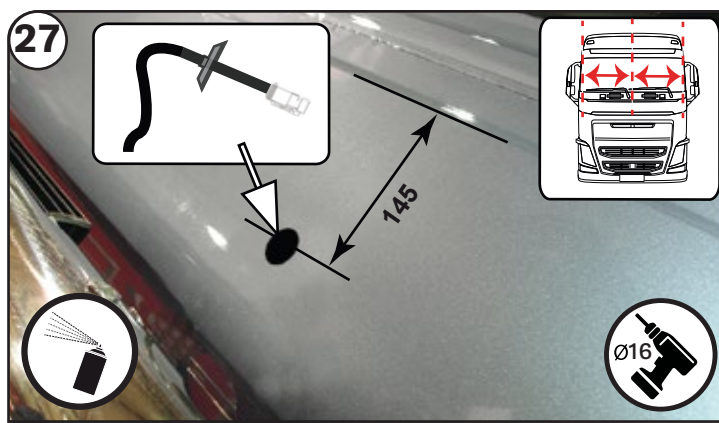


B TRUCK WITHOUT PREWIRING
HIGH

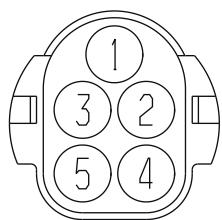


Scania R/S 2016-

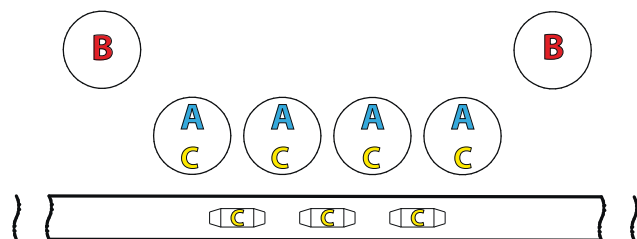
Art. 864616770, 864616771
Lamp holder HYDRA, High, LED



Switching pattern of the lights of the holder.



Position numbers seen from the side of holder



**If the total wattage of the headlights A+B+C exceeds 280 W, the signal cables of the wiring harness (A/B) must be used as additional grounding!
The number of possible simultaneous switching of different headlamps is decreasing.**

pin pattern / cross reference

Lear pin	crossing-light	ID 3G1,5
1	main beam (A)	b1
2	position/ LED (A/C)	b2
3	earth/ground (A/B/C)	gy
4	signal (B)	b1
5	signal (B)	b2