



MAN TGX 2020- High

Mounting instructions
Art. 854735, 85473571
Railings WD-LINER, side

Scan the QR code
for translated
instructions or visit
metec.ee/instructions



Weight: 15,2 kg
Time of mounting w/o wiring: 60 min

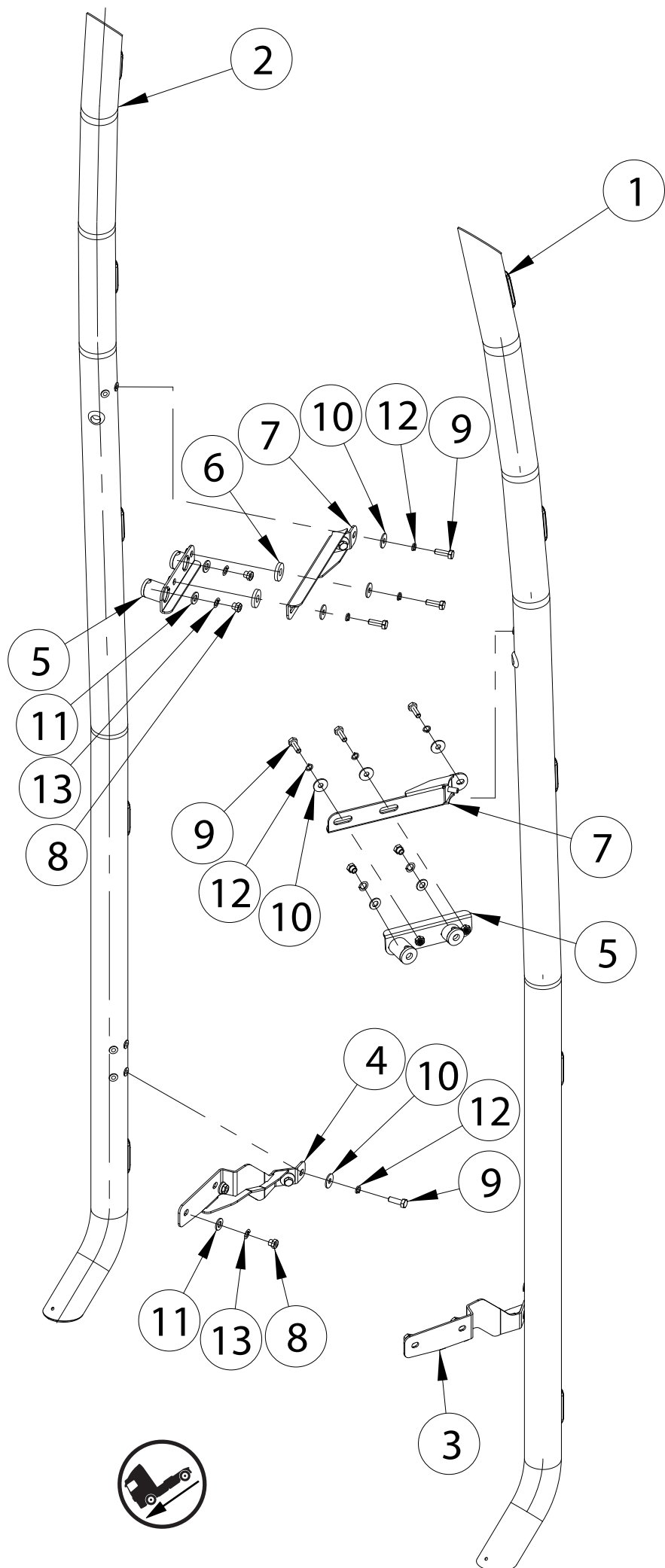
Required tools:



A2 / A4
M8 - 17 Nm

MAN TGX 2020- High

Art. 854735, 85473571
Railings WD-LINER, side



Pos	Description	QTY
1.	Tube	1
2.	Tube	1
3.	Bracket	1
4.	Bracket	1
5.	Bracket	2
6.	Washer D30	2
7.	Bracket	2
8.	Nut	8
9.	Bolt M8x25 DIN933-A2	12
10.	Flat Washer 8,4x24x2	12
11.	Flat washer 10,5x20x2	8
12.	Spring washer A8	12
13.	Spring washer A10	8

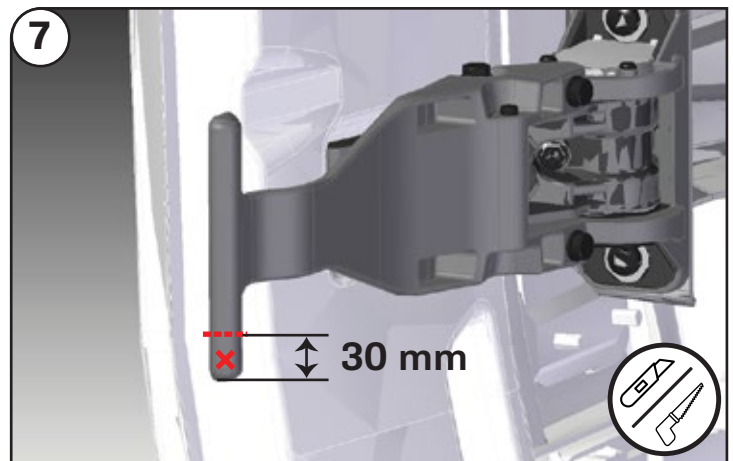
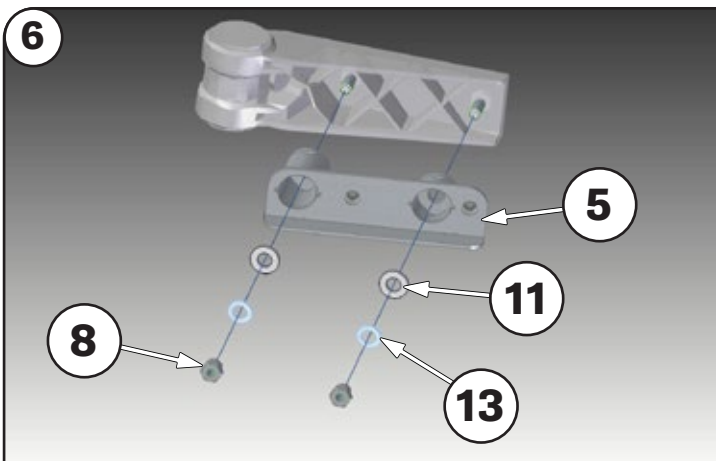
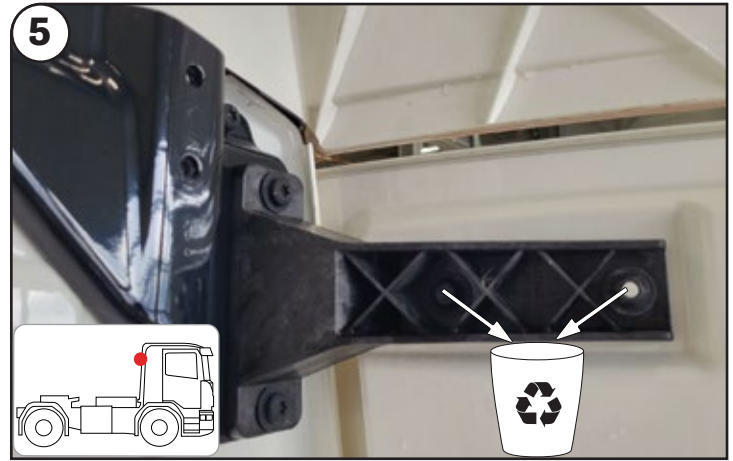
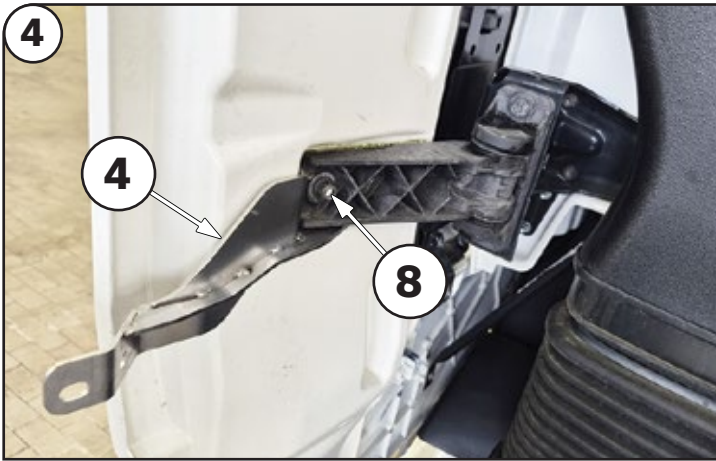
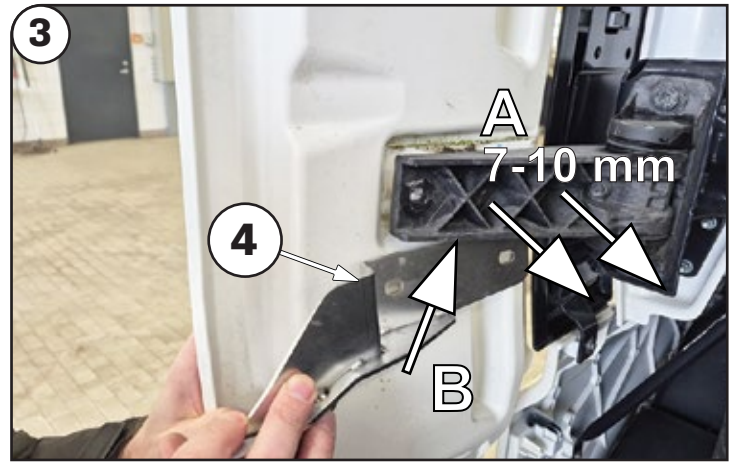
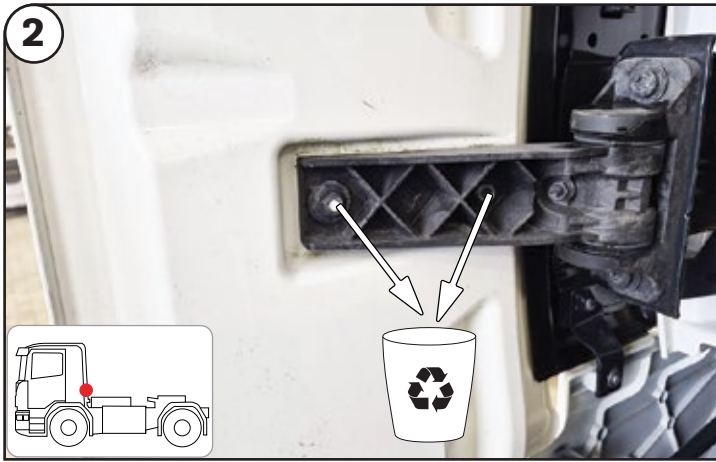
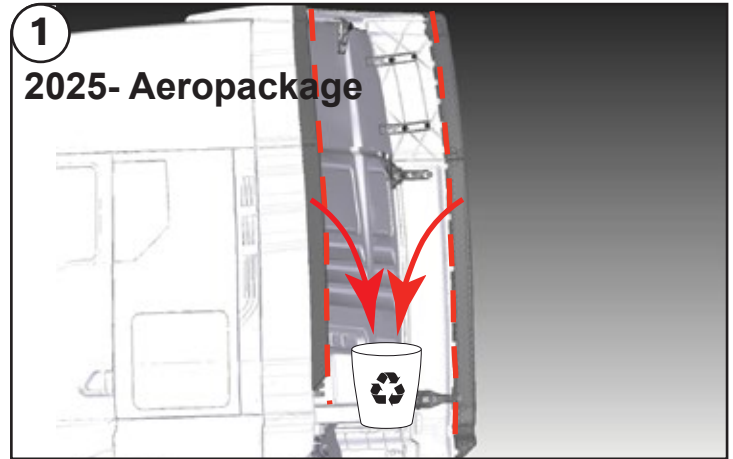
NB!



To prevent cold welding, use cold weld grease or engine oil

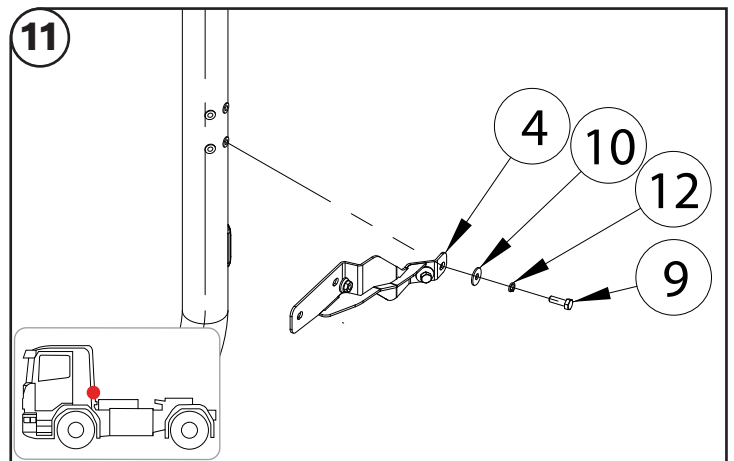
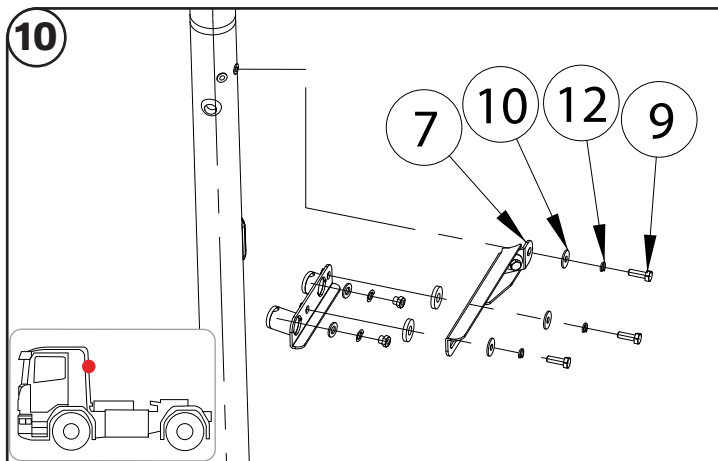
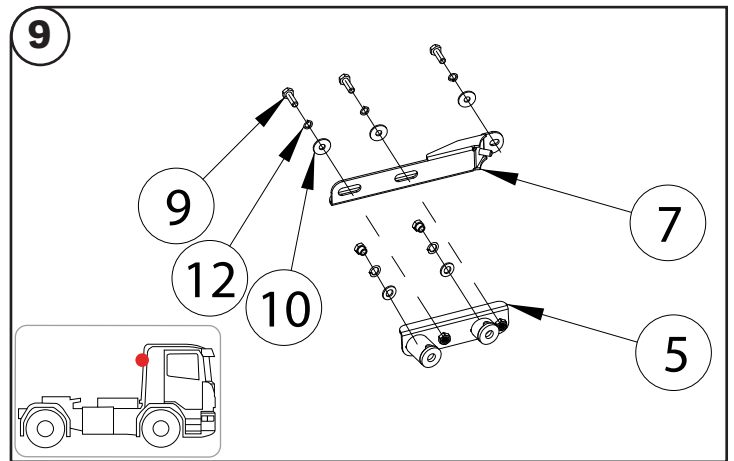
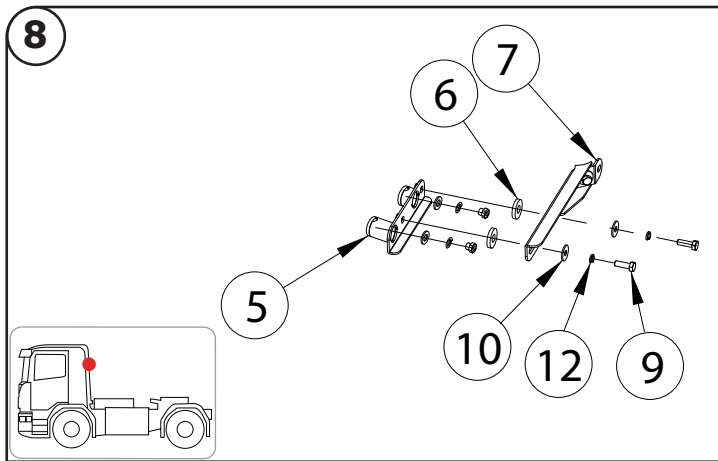


Installation of the lights must be carried out by a qualified electrician only



MAN TGX 2020- High

Art. 854735, 85473571
Railings WD-LINER, side



Check and retighten the fasteners:
Road vehicles: every 10 000km
Heavy machinery: every 500 work hours



Clean the product twice a month to remove dirt, salt, and debris that may cause surface discoloration or rust spots

In case of any defects or damage to the METEC product upon delivery, contact the reseller or point of sale where you made your purchase for resolution