



# Renault T 2021- (high cabin)

Mounting instructions  
Art. 862360  
Railings S-RAIL, side

Scan the QR code  
for translated  
instructions or visit  
[metec.ee/instructions](http://metec.ee/instructions)



Weight: 11,3 kg  
Time of mounting w/o wiring: 60 min

**Required tools:**



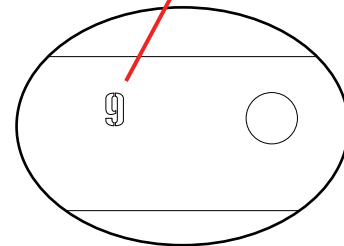
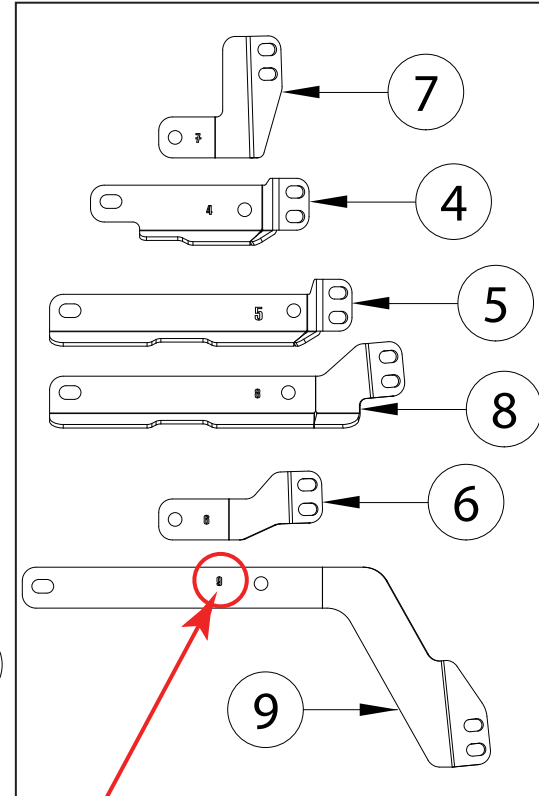
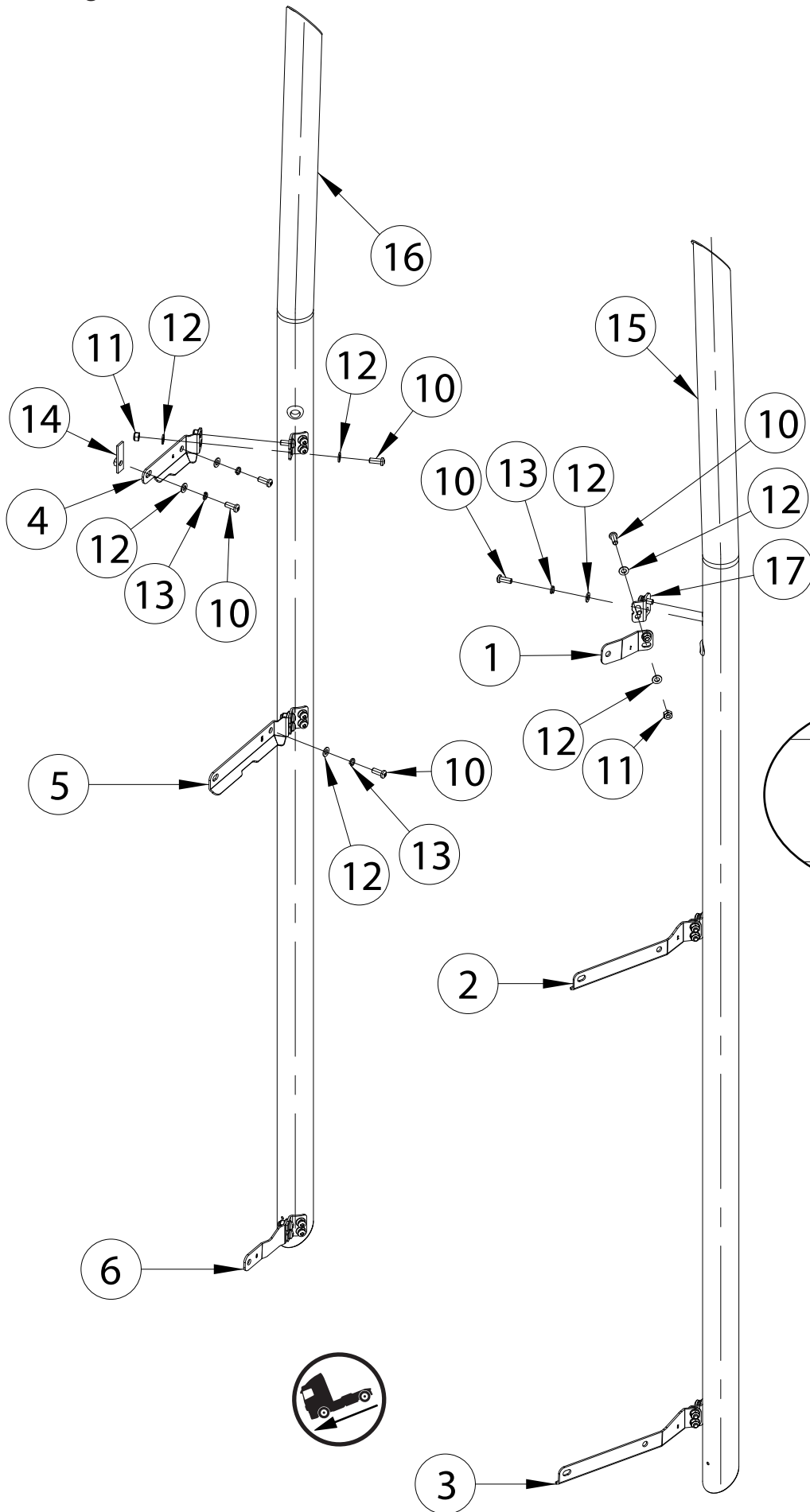
<b>A2 / A4</b>
<b>M8 - 17 Nm</b>

# Renault T 2021- (high cabin)

Art. 862360

Railings S-Rail, side

For fixed type RH deflector



Pos	Description	QTY
1.	Bracket	1
2.	Bracket	1
3.	Bracket	1
4.	Bracket	1
5.	Bracket	1
6.	Bracket	1
7.	Bracket	1
8.	Bracket	1
9.	Bracket	1
10.	Bolt M8x20 DIN7380-A2	27
11.	Nut M8 DIN985-A2	12
12.	Flat washer 8,4x16x1,6	39
13.	Spring washer A8	15
14.	Plate with nut	1
15.	Tube	1
16.	Tube	1
17.	Bolt bracket	6

# Renault T 2021- (high cabin)

Art. 862360

Railings S-Rail, side

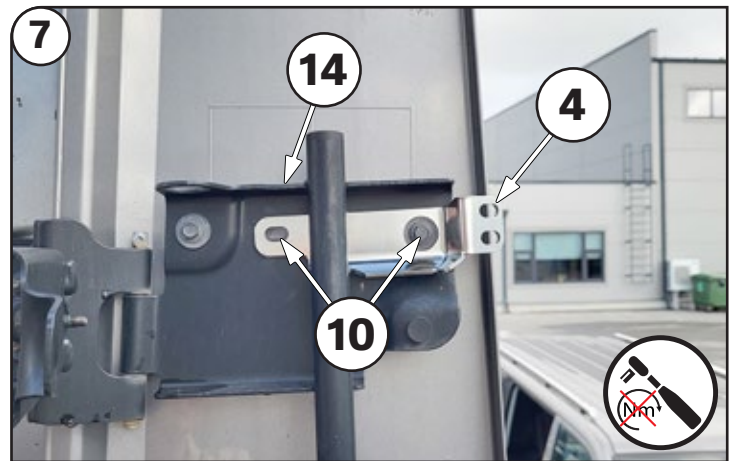
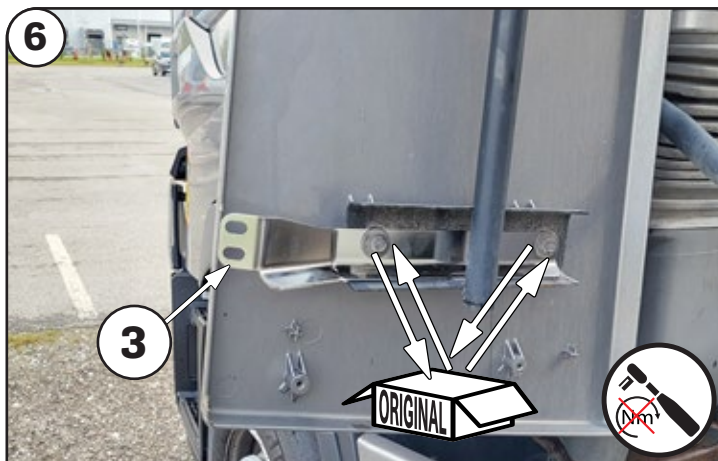
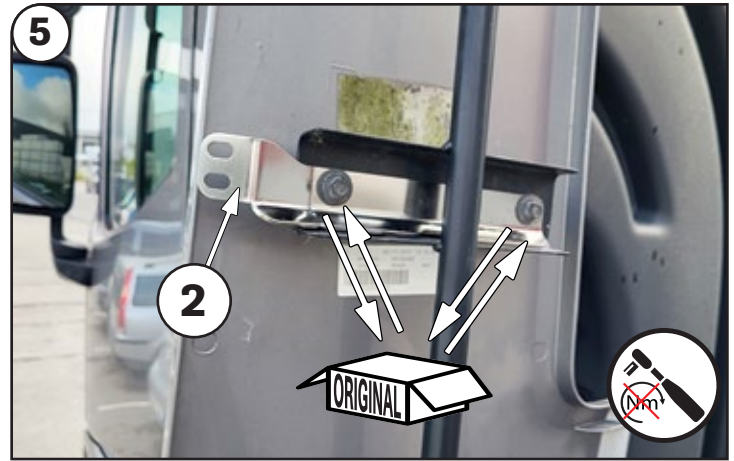
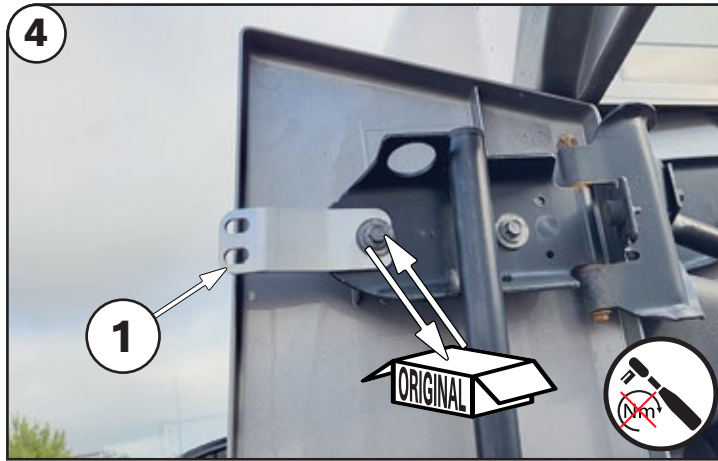
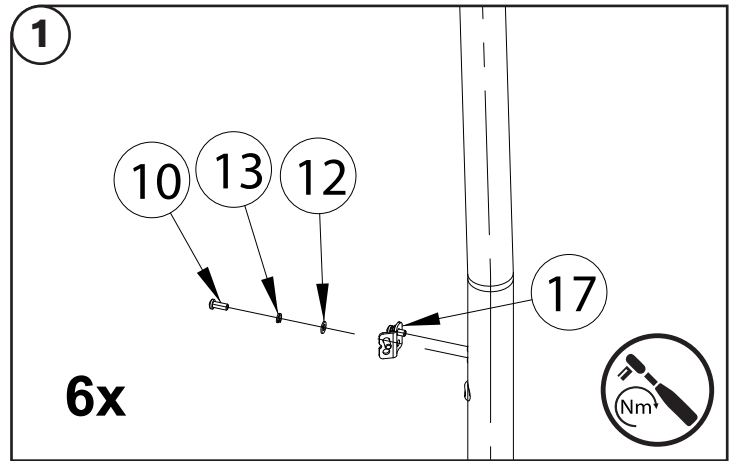
## NB!



To prevent cold welding, use cold weld grease or engine oil



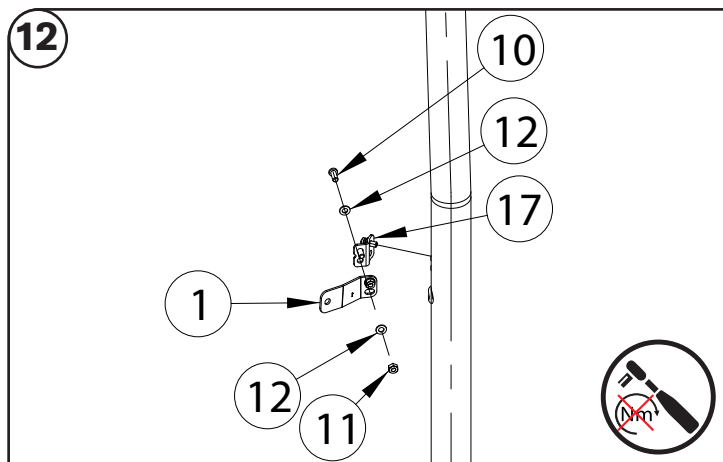
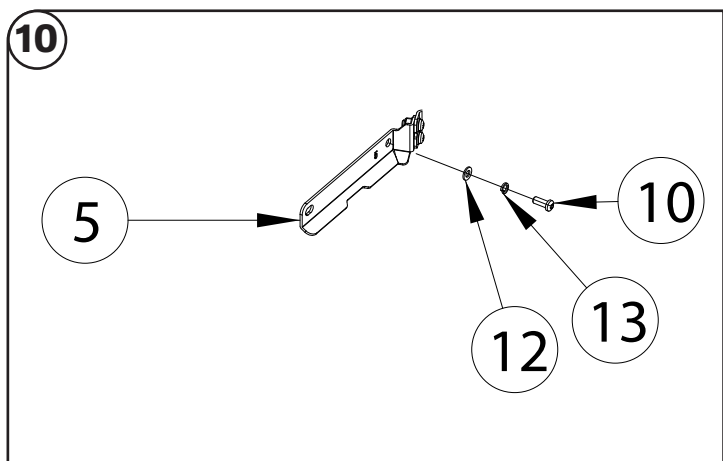
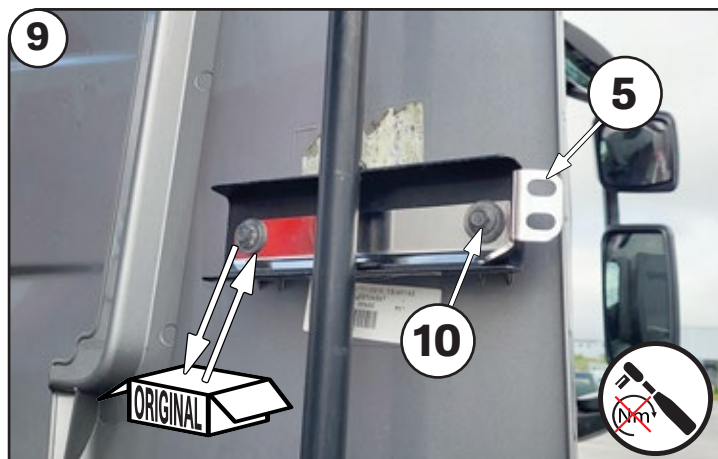
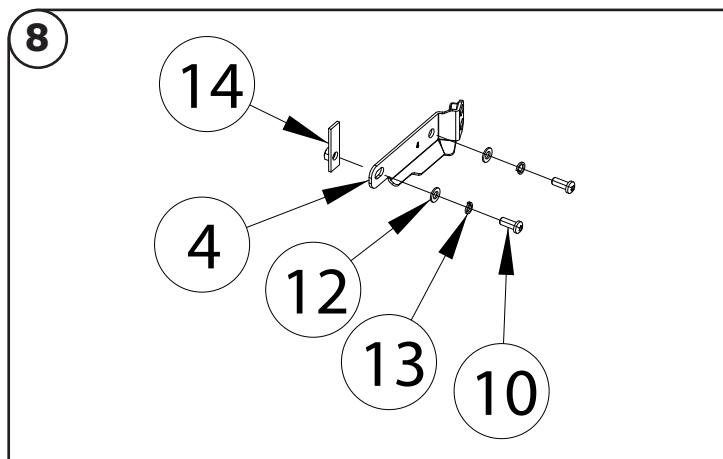
Installation of the lights must be carried out by a qualified electrician only



# Renault T 2021- (high cabin)

Art. 862360

Railings S-Rail, side



Check and retighten the fasteners:  
Road vehicles: every 10 000km  
Heavy machinery: every 500 work hours



Clean the product twice a month to remove dirt, salt, and debris that may cause surface discoloration or rust spots

In case of any defects or damage to the METEC product upon delivery, contact the reseller or point of sale where you made your purchase for resolution