



Valtra T

Mounting instructions
 Art. 887700
 Lamp holder

Scan the QR code
 for translated
 instructions or visit
metec.ee/instructions



Weight: 19,1 kg
 Time of mounting w/o wiring: 60 min

Required tools:

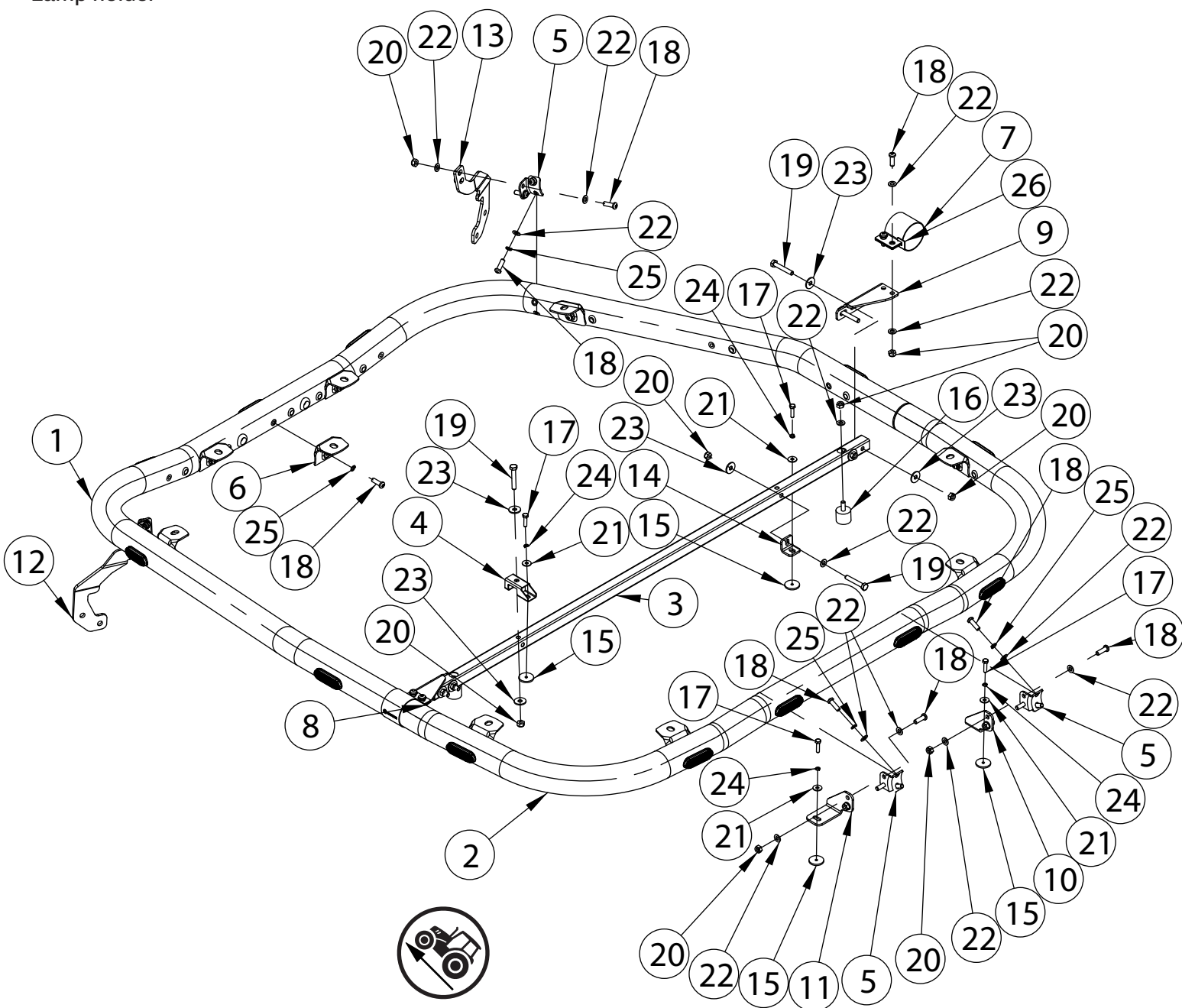


A2 / A4	
M6	- 7 Nm
M8	- 17 Nm

Valtra T

Art. 887700

Lamp holder



Pos	Description	QTY	Pos	Description	QTY	Pos	Description	QTY
1.	Arc	1	11.	Angeled plate L=68	1	21.	Flat Washer 6,4x18x1,6	4
2.	Arc	1	12.	Bracket	1	22.	Flat Washer 8,4x16x1,6	35
3.	Pipe 25x25	1	13.	Bracket	1	23.	Flat Washer 8,4x24x2	11
4.	Pipe 25x25	1	14.	Angeled plate	1	24.	Spring washer A8	17
5.	Bolt bracket	4	15.	Rubber washer d=30/5	4	25.	Brace-it installation tool	2
6.	Lamp fixing bracket	9	16.	Compensator 30x25	2			
7.	Clamp	2	17.	Bolt M6x16 DIN933-A2	4			
8.	Angeled plate	1	18.	Bolt M8x25 DIN7380-A2	29			
9.	Angeled plate	1	19.	Bolt M8x45 DIN933-A2	6			
10.	Angeled plate L=49	1	20.	Nut M8 DIN985-A2	20			

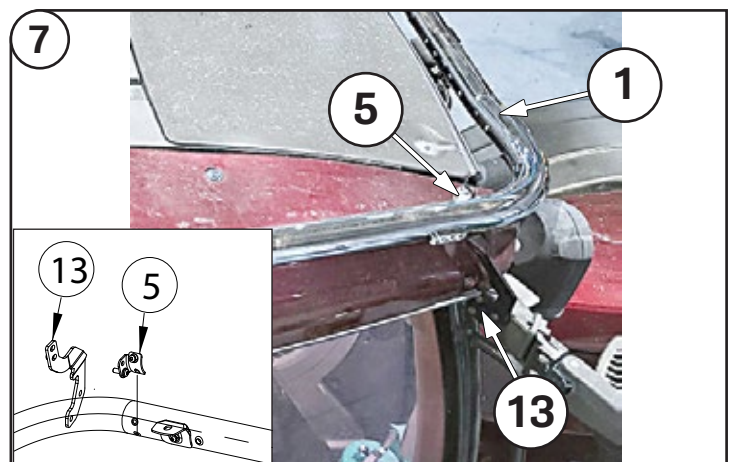
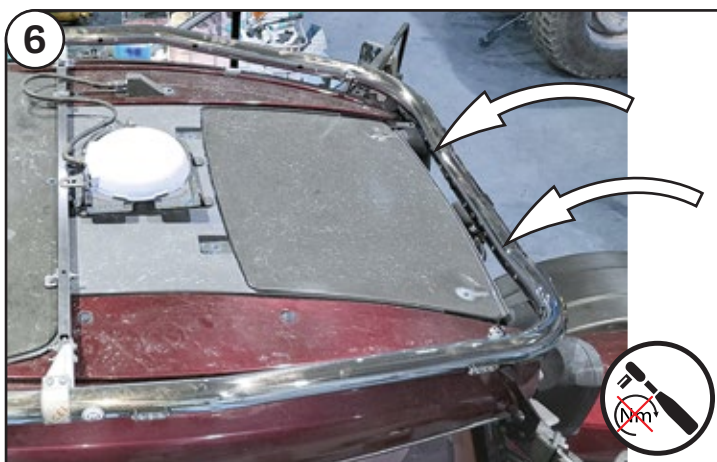
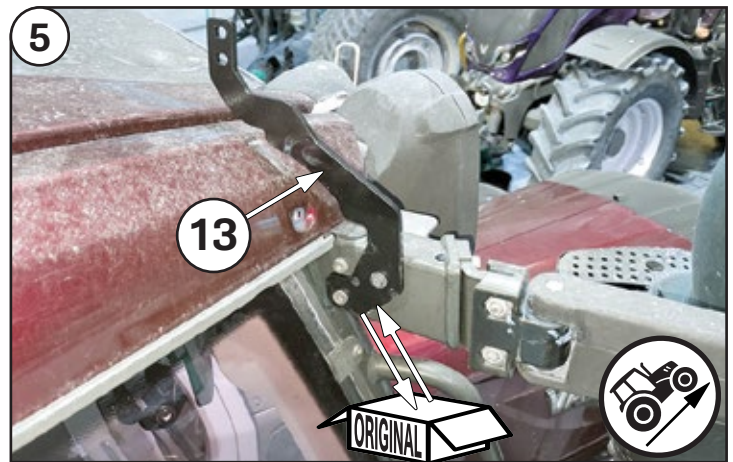
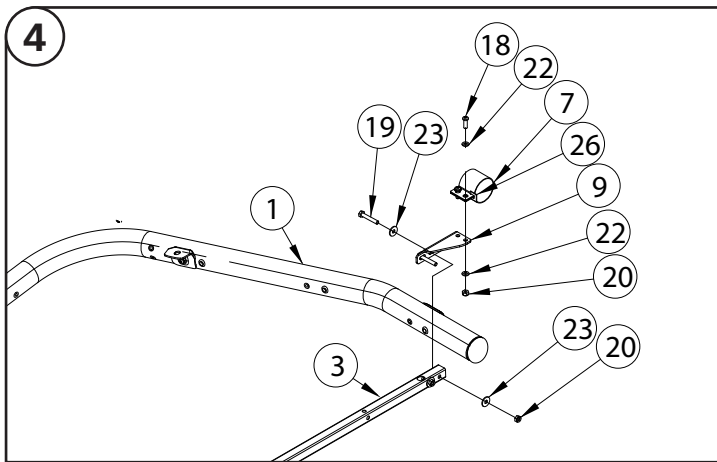
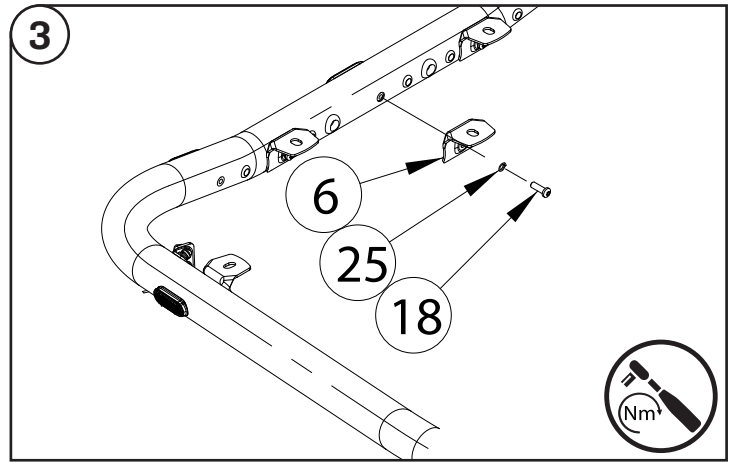
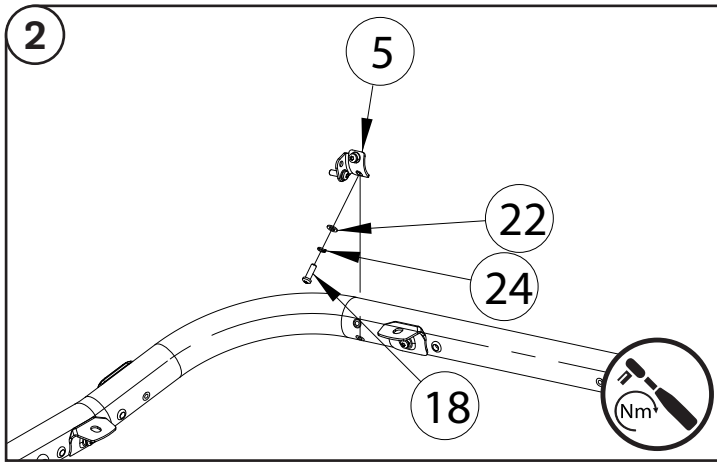
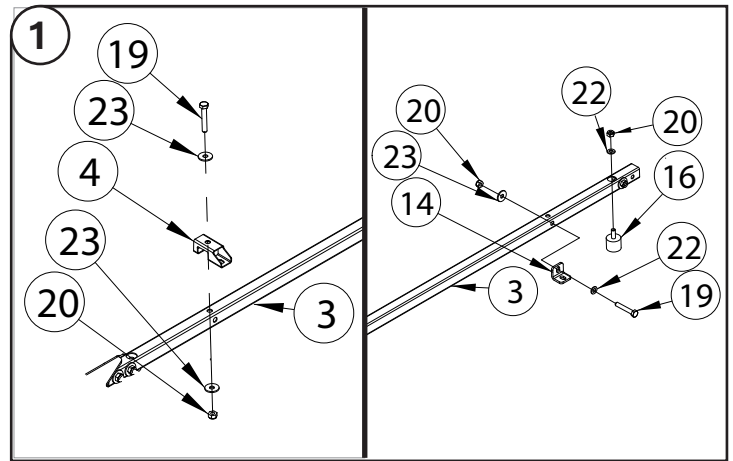
NB!



To prevent cold welding, use cold weld grease or engine oil



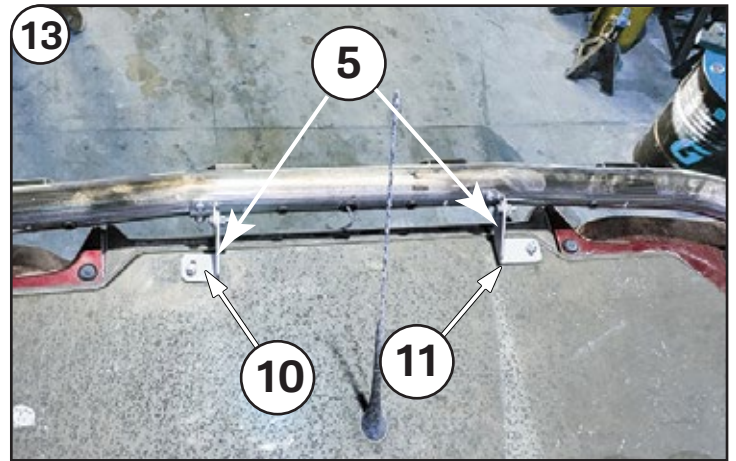
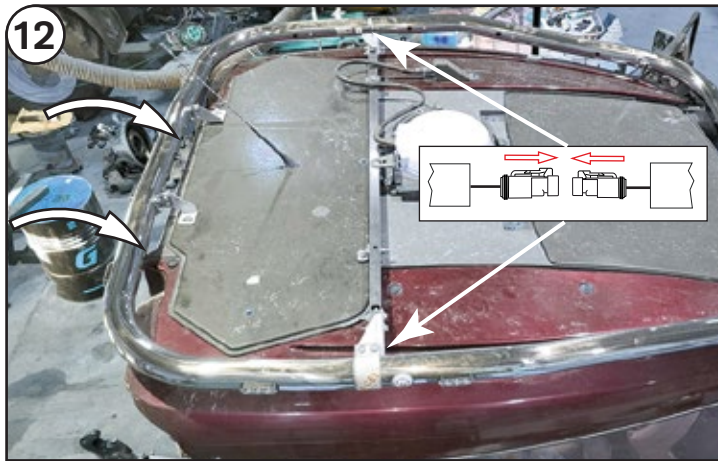
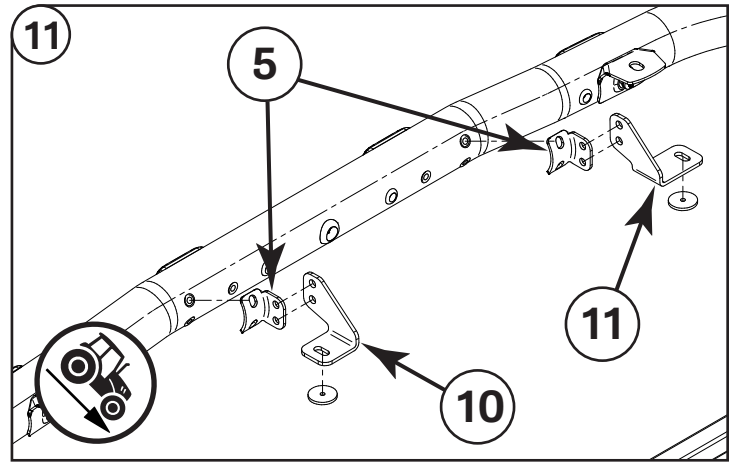
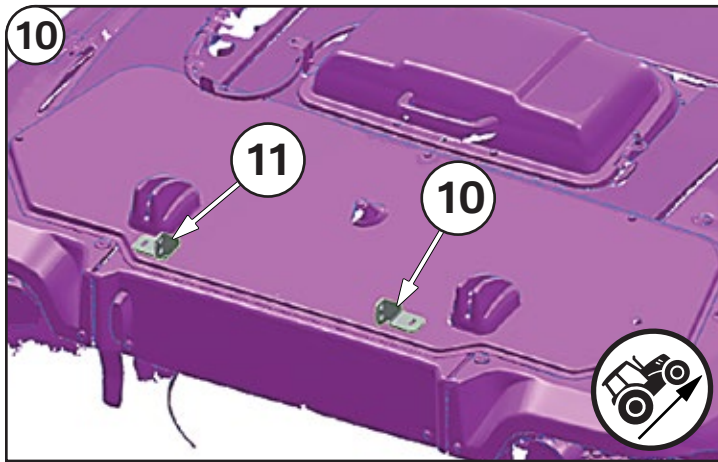
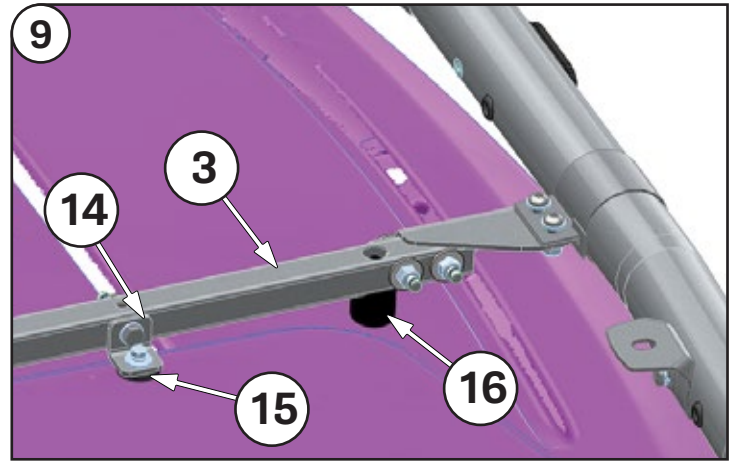
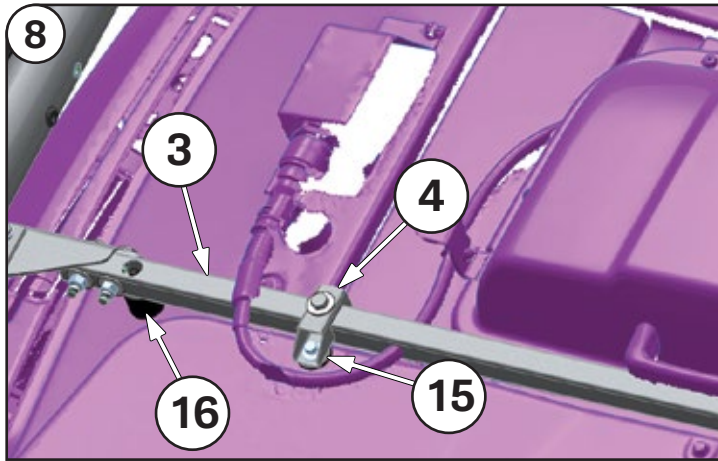
Installation of the lights must be carried out by a qualified electrician only



Valtra T

Art. 887700

Lamp holder



Check and retighten the fasteners after each 10 000km



Clean and wash the product twice a month to prevent corrosion

In case of any defects or damage to the METEC product upon delivery, contact the reseller or point of sale where you made your purchase for resolution