



MB Sprinter 18- H2

Mounting instructions

Art. 81802670, 81802671

Lamp holder for working lights

Scan the QR code
for translated
instructions or visit
metec.ee/instructions



Weight: 9,4 kg

Time of mounting w/o wiring: 60 min

Required tools:



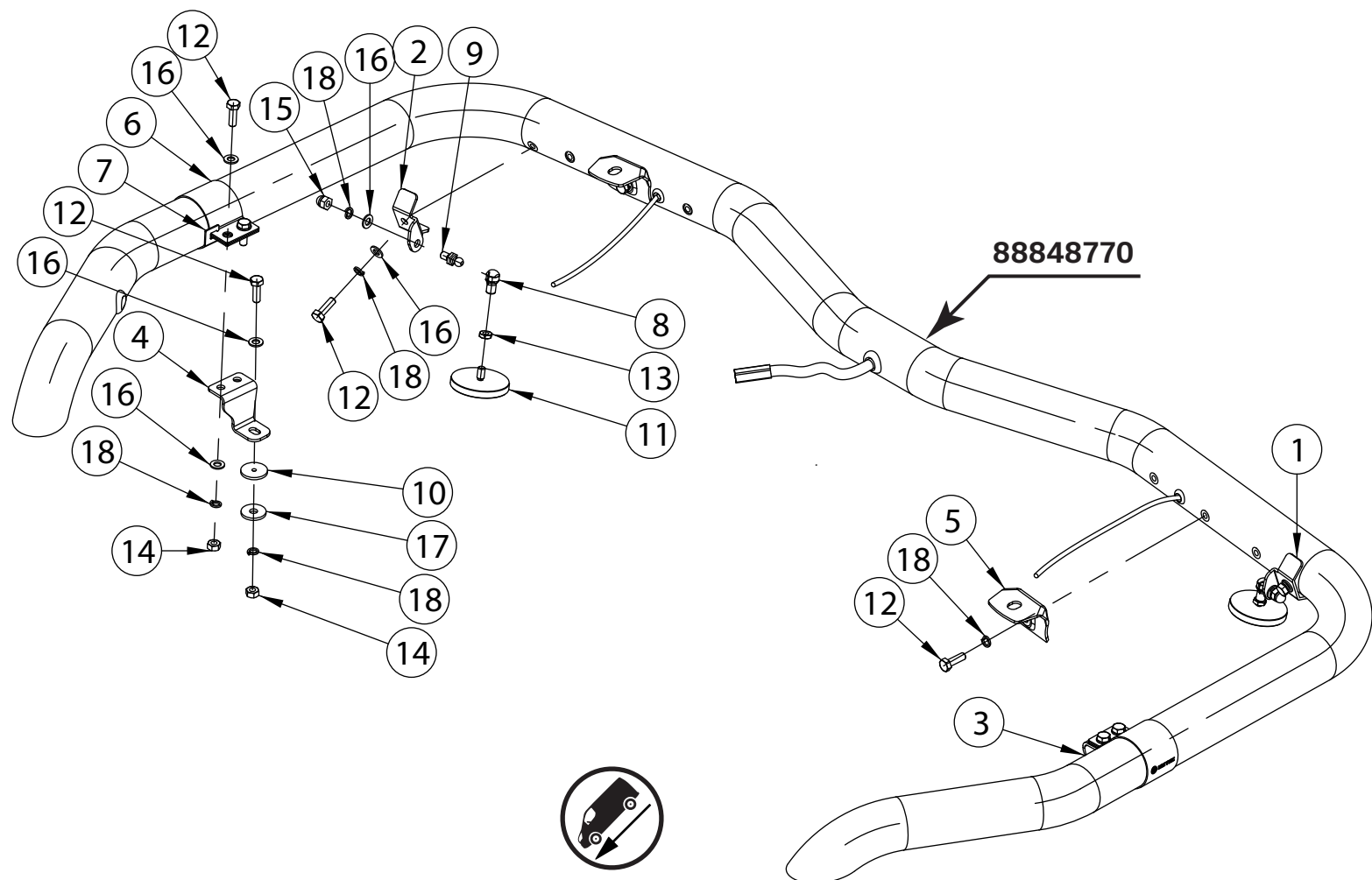
A2 / A4

M8 - 17 Nm

MB Sprinter 18- H2

Art. 81802670, 81802671

Lamp holder for working lights



Pos	Description	QTY	Pos	Description	QTY
1.	Bracket	1	11.	Magnetic fastening M8	2
2.	Bracket	1	12.	Bolt M8x25 DIN933-A2	10
3.	Bracket	1	13.	Nut M8 DIN439-A2	2
4.	Bracket	1	14.	Nut M8 DIN934-A2	6
5.	Lamp fixing bracket	2	15.	Nut M8 DIN1587-A2	2
6.	Clamp	2	16.	Flat Washer 8,4x16x1,6	14
7.	Brace-it installation tool	2	17.	Flat Washer 9x28x3	2
8.	Ball joint	2	18.	Spring washer A8	12
9.	Ball joint	2			
10.	Rubber washer	2			

MB Sprinter 18- H2

Art. 81802670, 81802671

Lamp holder for working lights

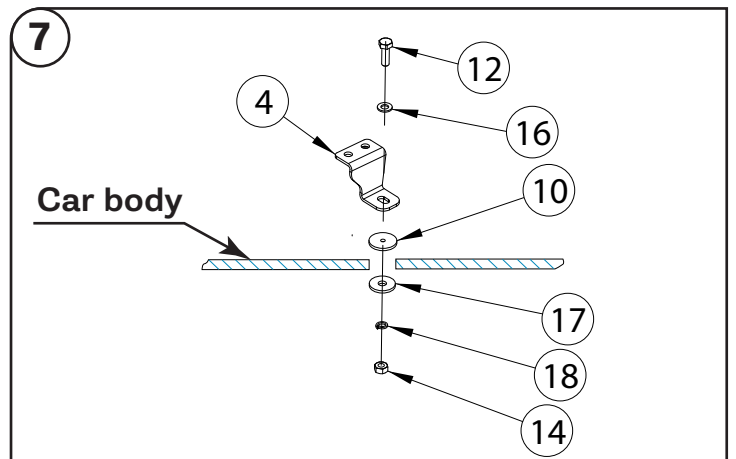
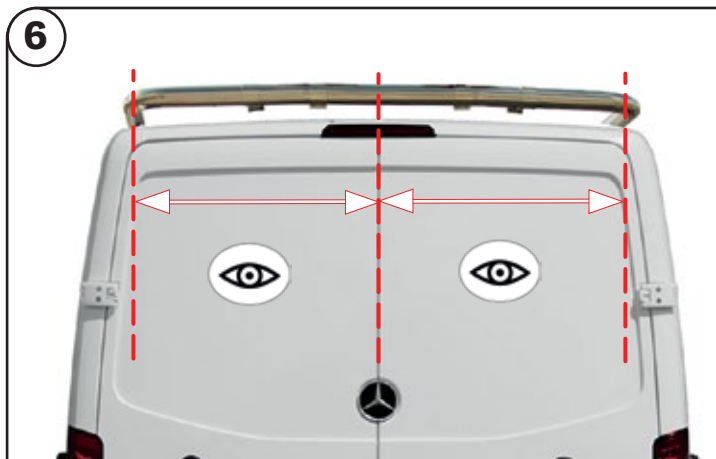
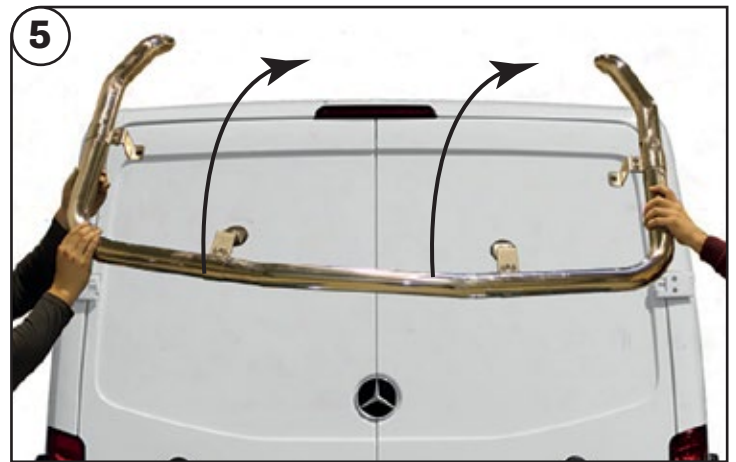
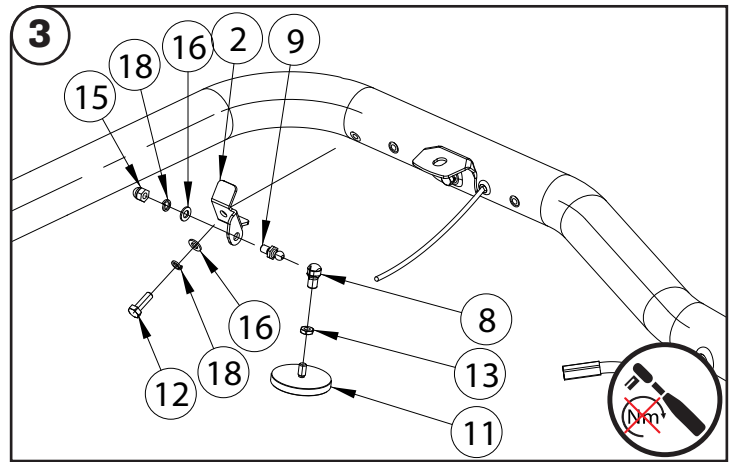
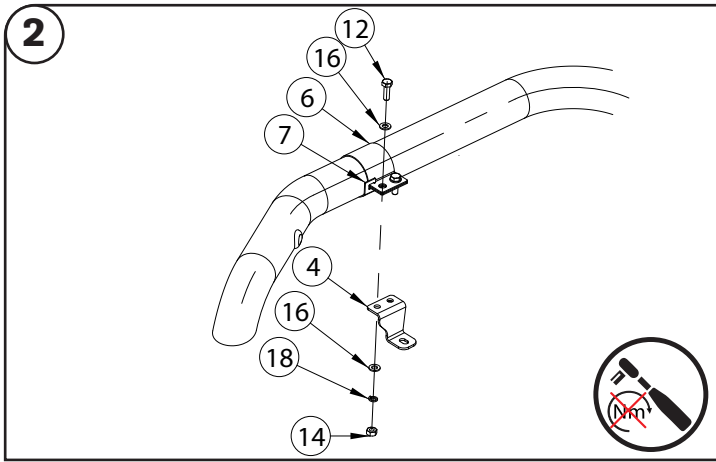
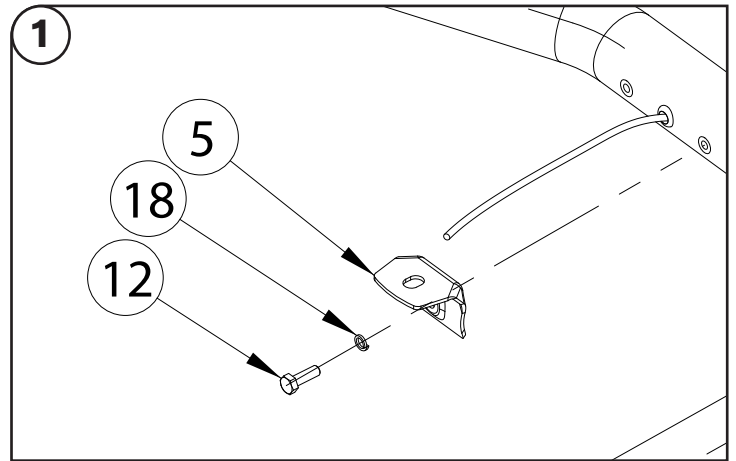
NB!



To prevent cold welding, use cold weld grease or engine oil



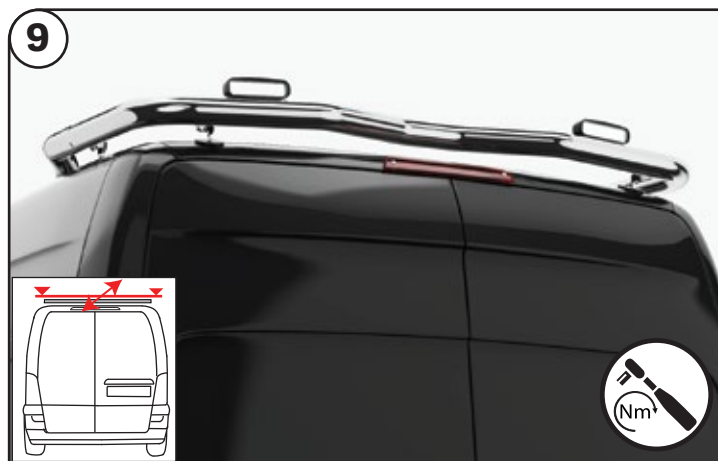
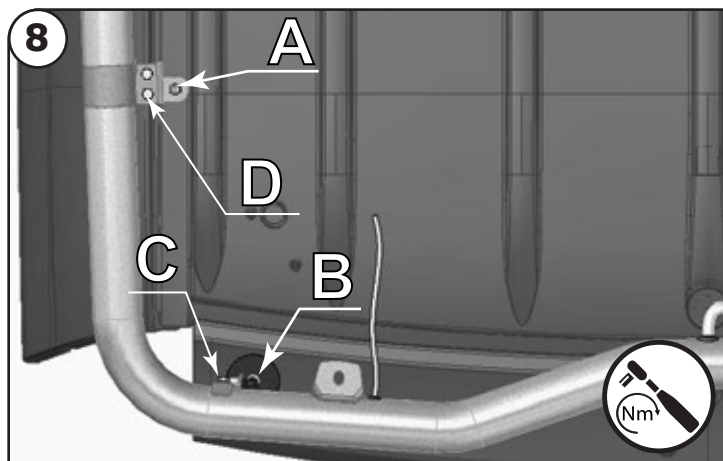
Installation of the lights must be carried out by a qualified electrician only



MB Sprinter 18- H2

Art. 81802670, 81802671

Lamp holder for working lights



Check and retighten the fasteners after each 10 000km



Clean and wash the product twice a month to prevent corrosion

In case of any defects or damage to the METEC product upon delivery, contact the reseller or point of sale where you made your purchase for resolution