



MAN TGX 25-

Mounting instructions

Art. 85466670, 85466671, 85466770, 85466771

Spoilerbar

Scan the QR code
for translated
instructions or visit
metec.ee/instructions



Weight: 14,3 kg

Time of mounting w/o wiring: 60 min

Required tools:

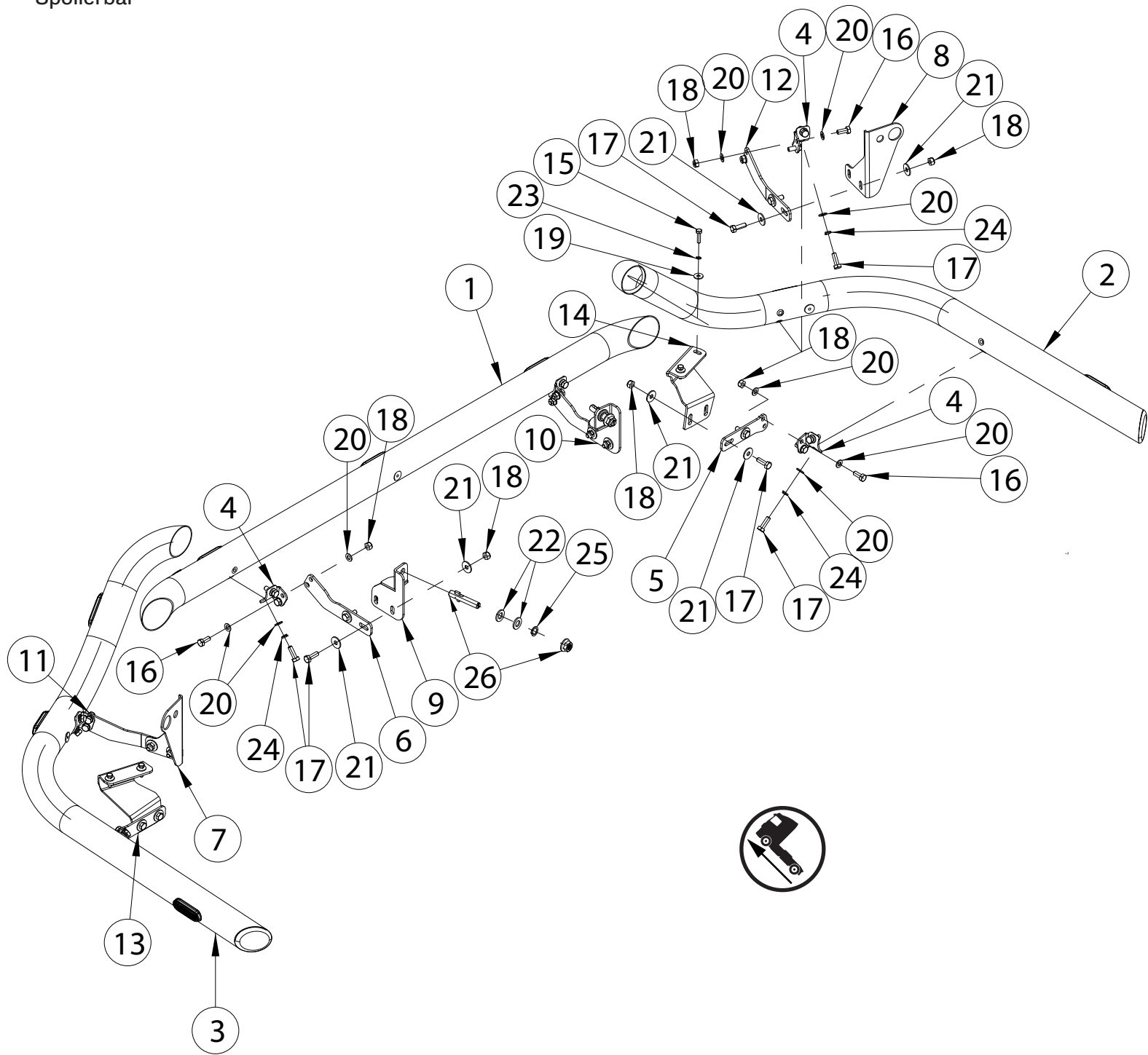


A2 / A4
M8 - 17 Nm

Zn
M6 - 9,8 Nm
M12 - 81 Nm

MAN TGX 25-

Art. 85466670, 85466671, 85466770, 85466771
 Spoilerbar



Pos	Description	QTY	Pos	Description	QTY	Pos	Description	QTY
1.	Tube	1	11.	Bracket	1	21.	Flat Washer 8,4x24x2	24
2.	Tube	1	12.	Bracket	1	22.	Flat Washer 13x24x2,5	4
3.	Tube	1	13.	Bracket	1	23.	Spring washer A6	4
4.	Bolt bracket	6	14.	Bracket	1	24.	Spring washer A8	12
5.	Bracket	2	15.	Bolt M6x25 DIN933-galZn	4	25.	Spring washer A12	2
6.	Bracket	2	16.	Bolt M8x20 DIN933-A2	12	26.	Blind bolt M12x70 Zn	2
7.	Bracket	1	17.	Bolt M8x25 DIN933-A2	24			
8.	Bracket	1	18.	Nut M8 DIN985-A2	24			
9.	Bracket	1	19.	Flat Washer 6,4x18x1,6	4			
10.	Bracket	1	20.	Flat Washer 8,4x16x1,6	36			

MAN TGX 25-

Art. 85466670, 85466671, 85466770, 85466771
Spoilerbar

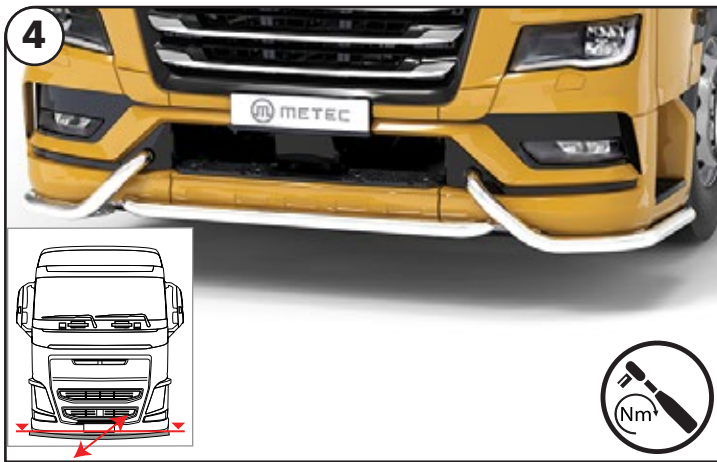
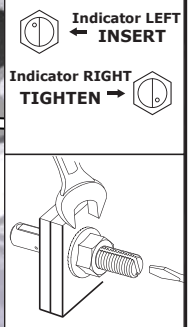
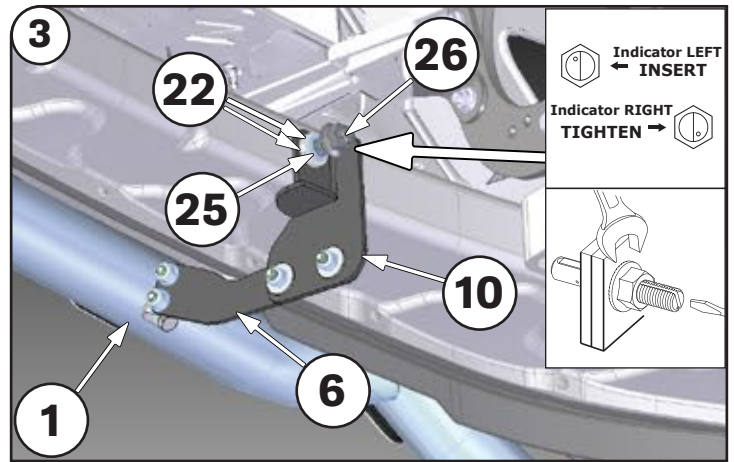
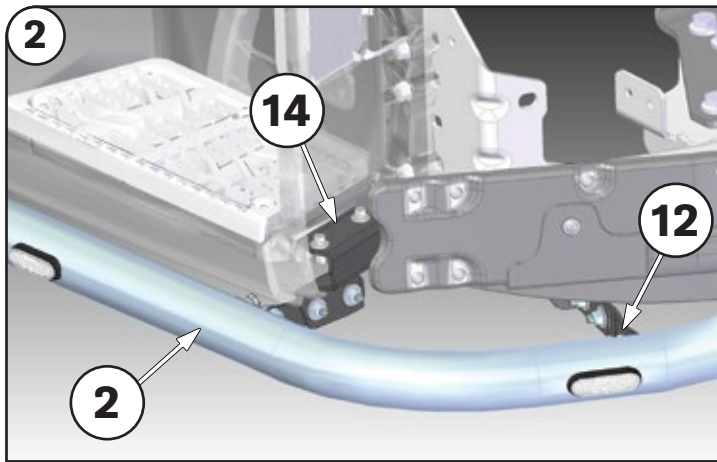
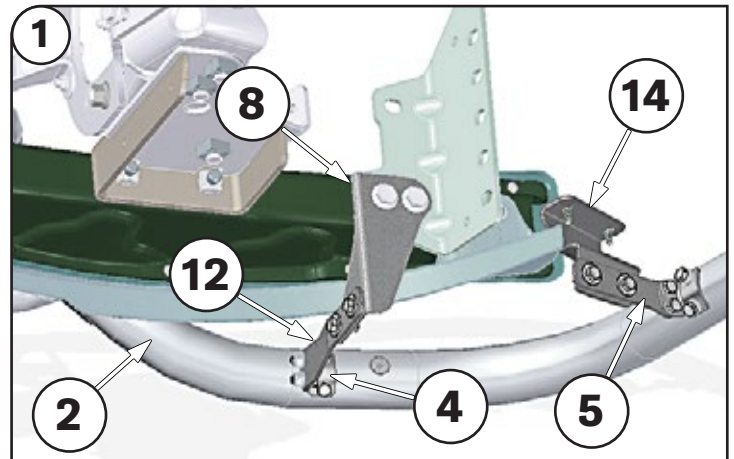
NB!



To prevent cold welding, use cold weld grease or engine oil



Installation of the lights must be carried out by a qualified electrician only



Check and retighten the fasteners:
Road vehicles: every 10 000km
Heavy machinery: every 500 work hours



Clean the product twice a month to remove dirt, salt, and debris that may cause surface discoloration or rust spots

In case of any defects or damage to the METEC product upon delivery, contact the reseller or point of sale where you made your purchase for resolution