



Renault T 21- high roof

Mounting instructions

Art. 86230370, 86230371

Lamp holder HYDRA

Scan the QR code
for translated
instructions or visit
metec.ee/instructions



Weight: 23 kg

Time of mounting w/o wiring: 90 min

Required tools:



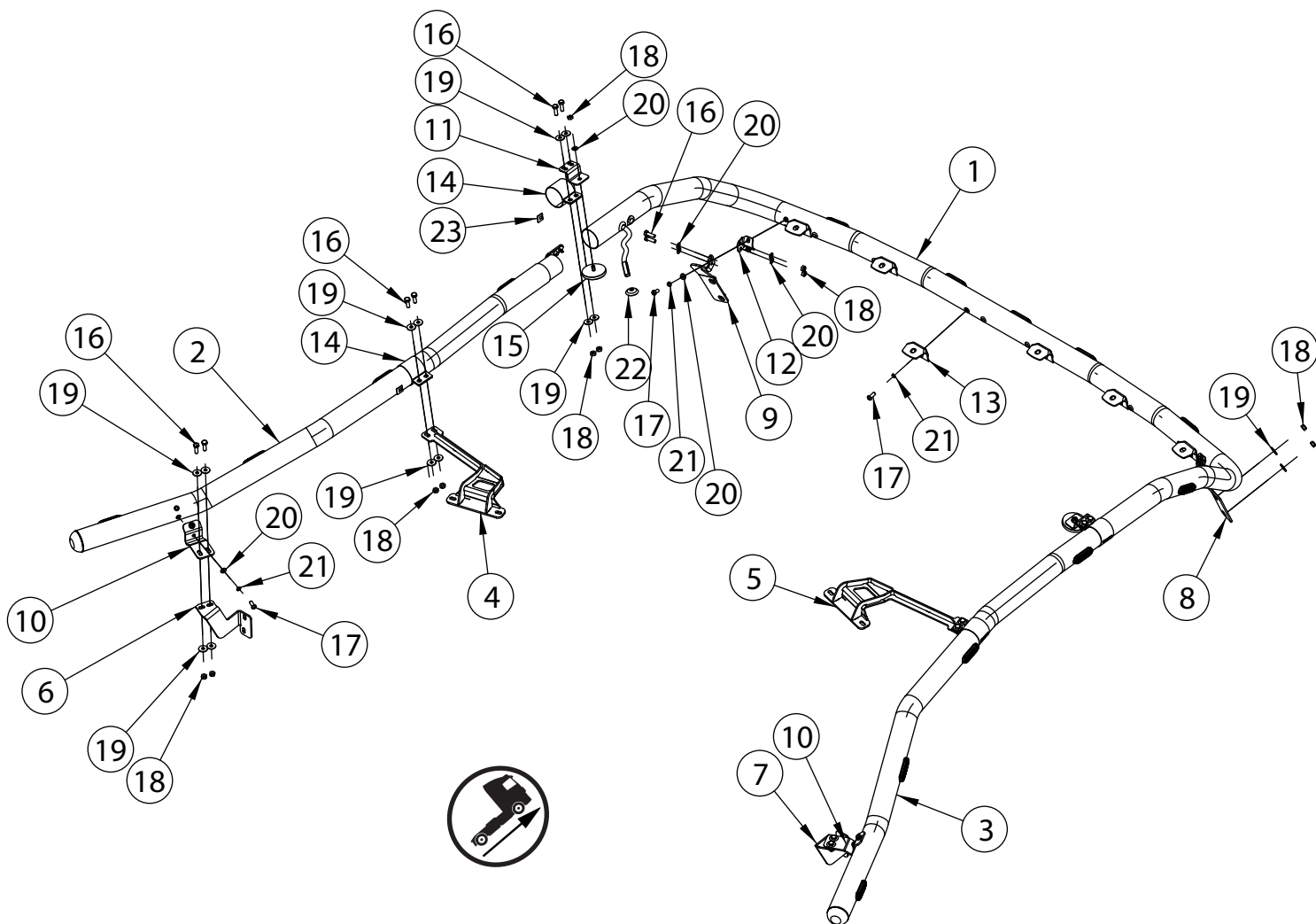
A2 / A4

M8 - 17 Nm

Renault T 21- high roof

Art. 86230370, 86230371

Lamp holder HYDRA



| Pos | Description | QTY |
|-----|-------------|-----|
| 1. | Arc | 1 |
| 2. | Arc | 1 |
| 3. | Arc | 1 |
| 4. | Bracket | 1 |
| 5. | Bracket | 1 |
| 6. | Bracket | 1 |
| 7. | Bracket | 1 |
| 8. | Bracket | 1 |
| 9. | Bracket | 1 |
| 10. | Bracket | 2 |

| Pos | Description | QTY |
|-----|------------------------|-----|
| 11. | Angeled plate | 2 |
| 12. | Bolt bracket | 2 |
| 13. | Lamp fixing bracket | 6 |
| 14. | Clamp | 4 |
| 15. | Magnetic fastening M8 | 2 |
| 16. | Bolt M8x25 DIN933-A2 | 16 |
| 17. | Bolt M8x20 DIN7380-A2 | 14 |
| 18. | Nut M8 DIN985-A2 | 22 |
| 19. | Flat Washer 8,4x24x2 | 28 |
| 20. | Flat Washer 8,4x16x1,6 | 18 |

| Pos | Description | QTY |
|-----|----------------------------|-----|
| 21. | Spring washer A8 | 14 |
| 22. | Grommet | 1 |
| 23. | Brace-it installation tool | 4 |

Renault T 21- high roof

Art. 86230370, 86230371

Lamp holder HYDRA

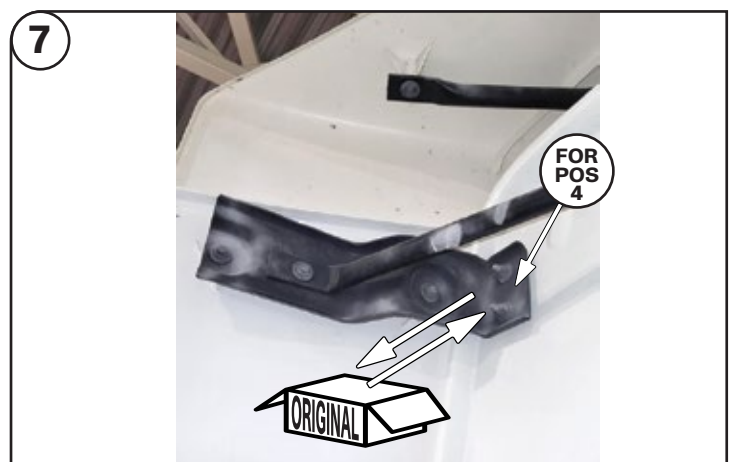
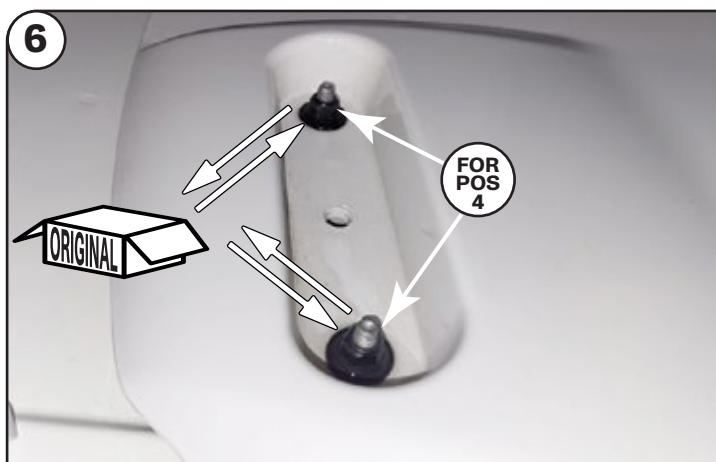
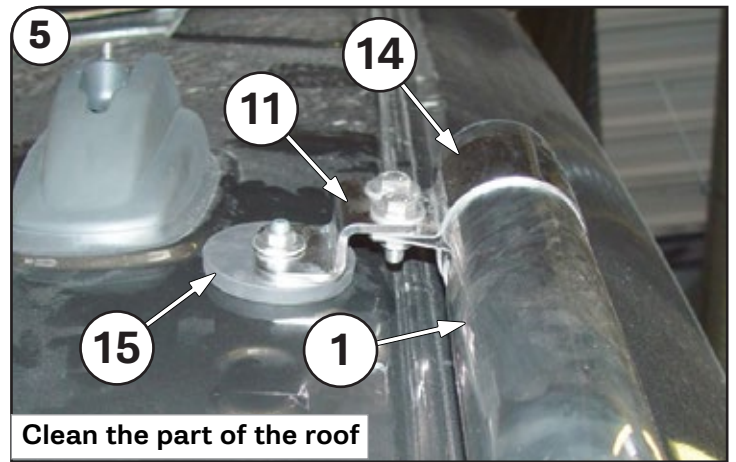
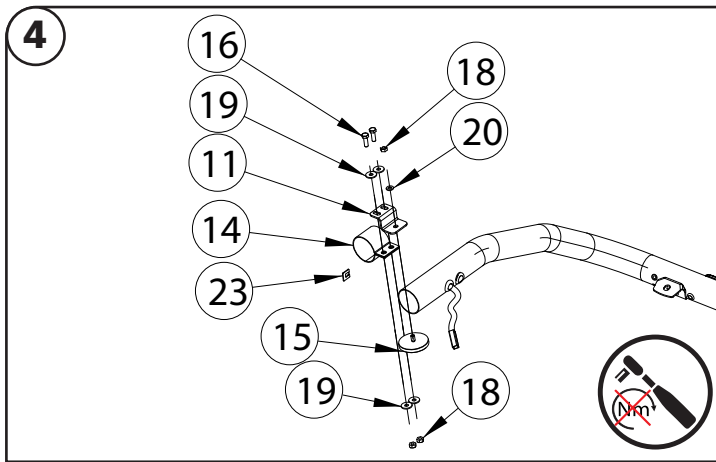
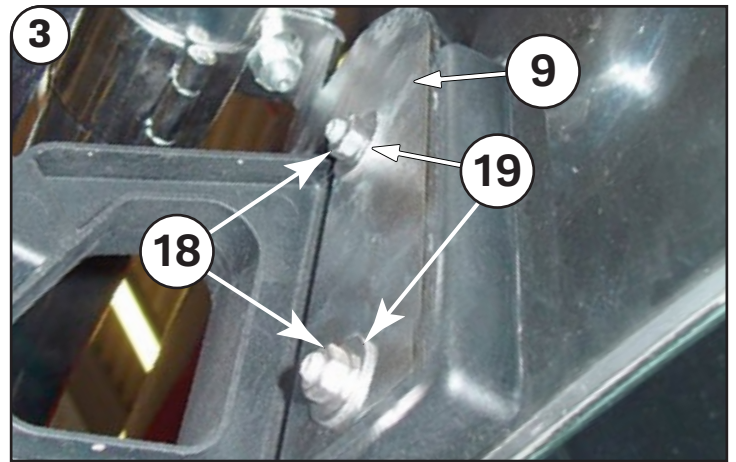
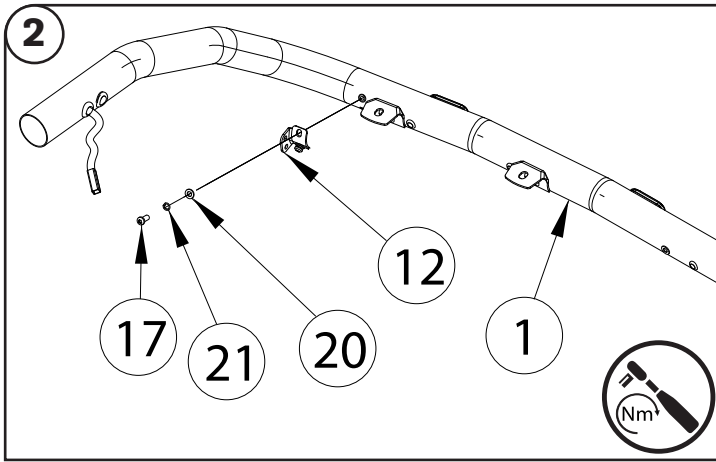
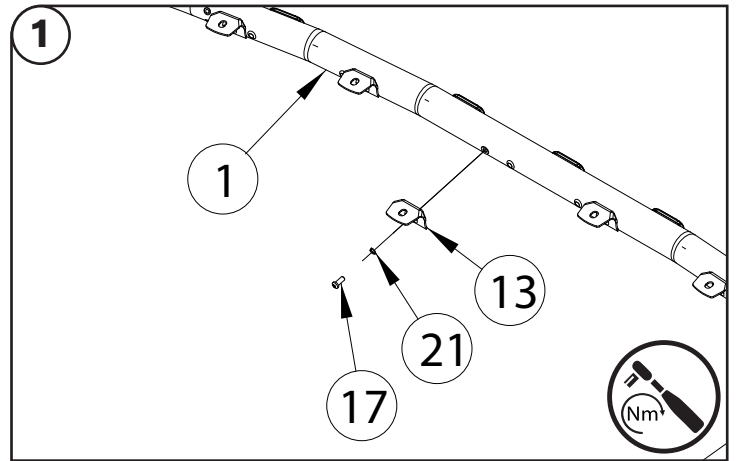
NB!



To prevent cold welding, use cold weld grease or engine oil



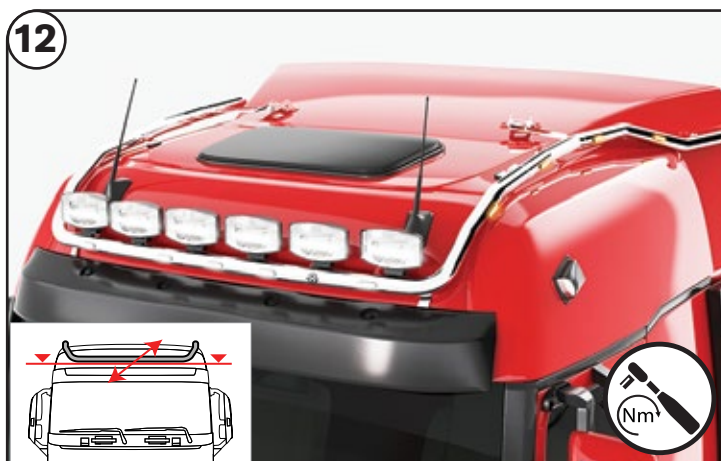
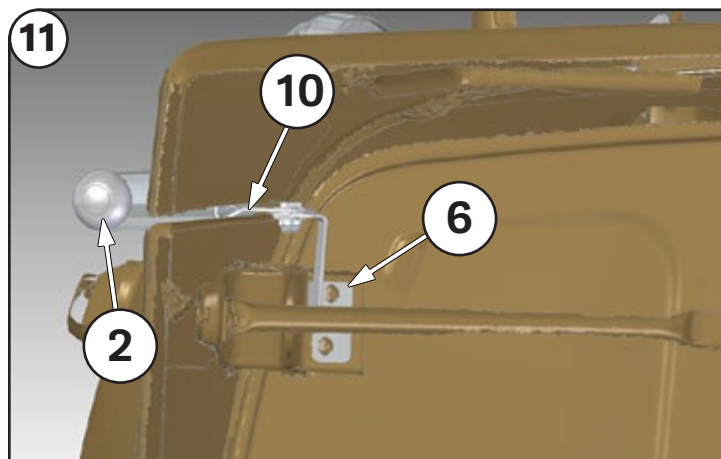
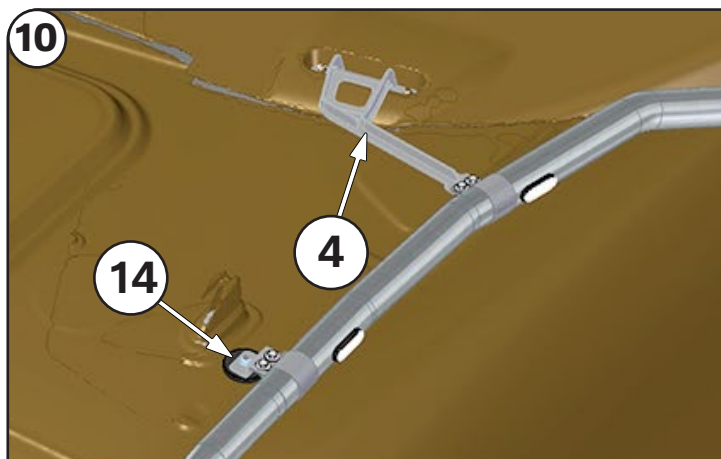
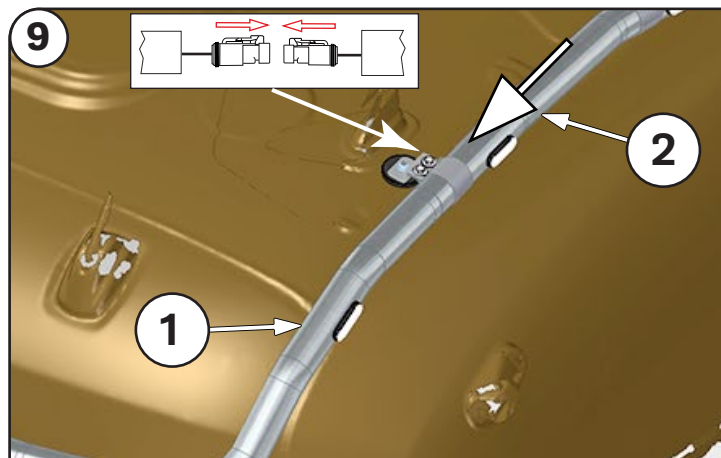
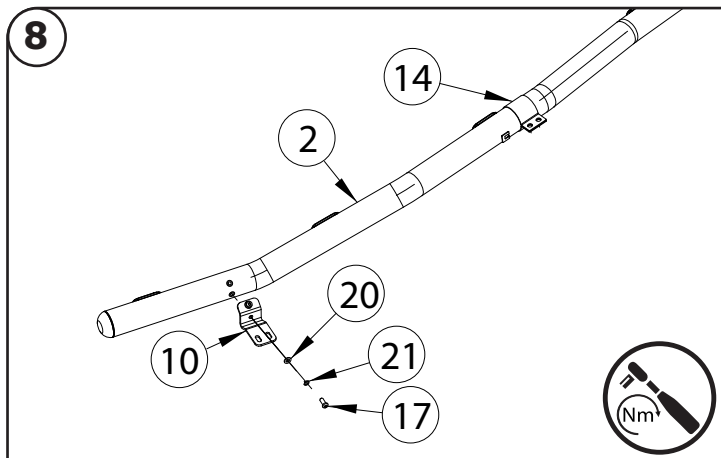
Installation of the lights must be carried out by a qualified electrician only



Renault T 21- high roof

Art. 86230370, 86230371

Lamp holder HYDRA



Check and retighten the fasteners after each 10 000km



Clean and wash the product twice a month to prevent corrosion

In case of any defects or damage to the METEC product upon delivery, contact the reseller or point of sale where you made your purchase for resolution