



## Cat 906-14

Mounting instructions  
 Art. 88605070, 88605071  
 Lamp holder

Scan the QR code  
 for translated  
 instructions or visit  
[metec.ee/instructions](http://metec.ee/instructions)



Weight: 16,3 kg  
 Time of mounting w/o wiring: 60 min

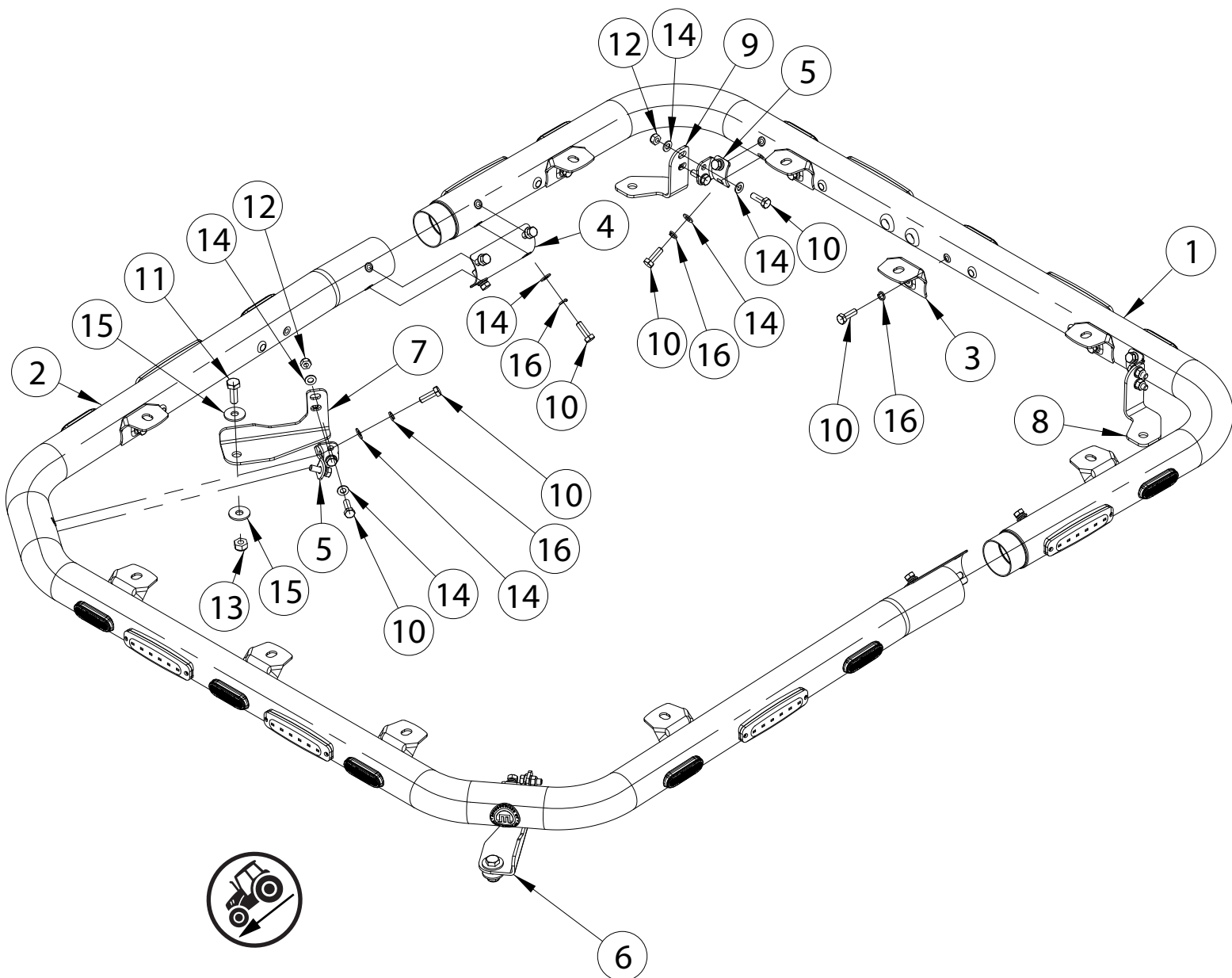
### Required tools:


**A2 / A4**
**M8 - 17 Nm  
 M10 - 33 Nm**

# Cat 906-14

Art. 88605070, 88605071

Lamp holder



Pos	Description	QTY	Pos	Description	QTY
1.	Tube	1	11.	Bolt M10x30 DIN933-A2	2
2.	Tube	1	12.	Nut M8 DIN985-A2	8
3.	Lamp fixing bracket	10	13.	Nut M10 DIN985-A2	2
4.	Tube bracket	2	14.	Flat Washer 8,4x16x1,6	32
5.	Bolt bracket	4	15.	Flat Washer 10,5x30x2,5	4
6.	Bracket	1	16.	Spring washer A8	26
7.	Bracket	1			
8.	Bracket	1			
9.	Bracket	1			
10.	Bolt M8x25 DIN933-A2	34			

# Cat 906-14

Art. 88605070, 888605071

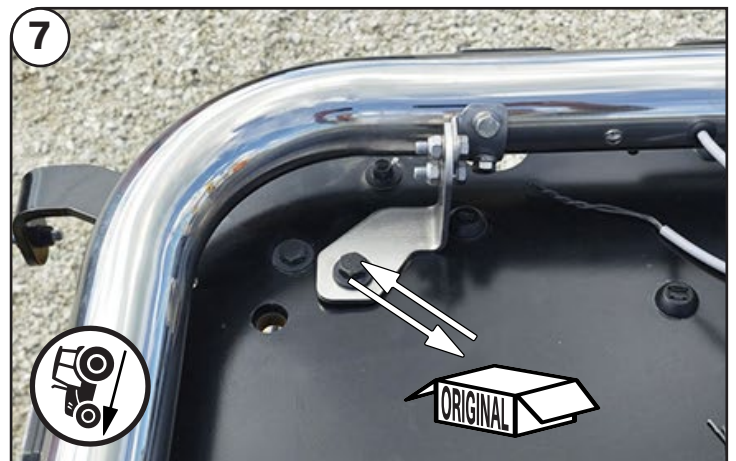
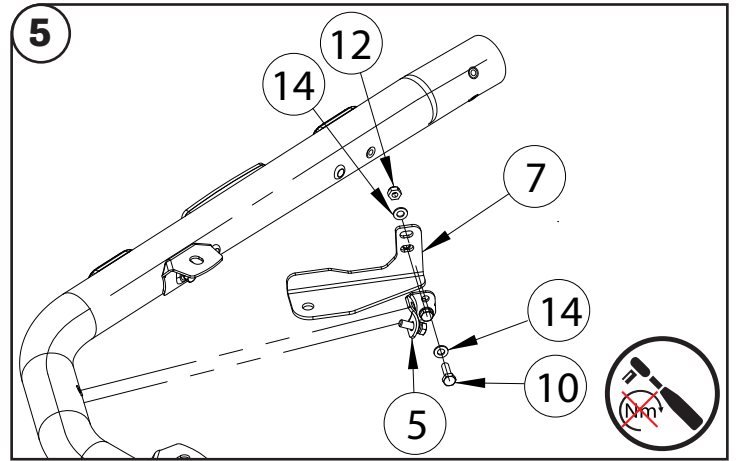
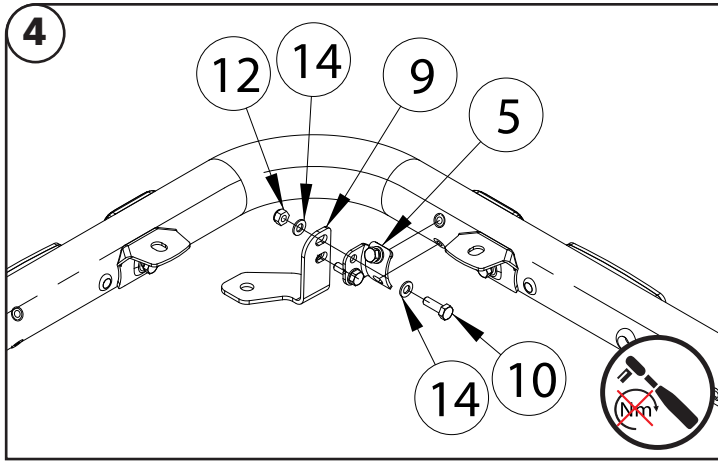
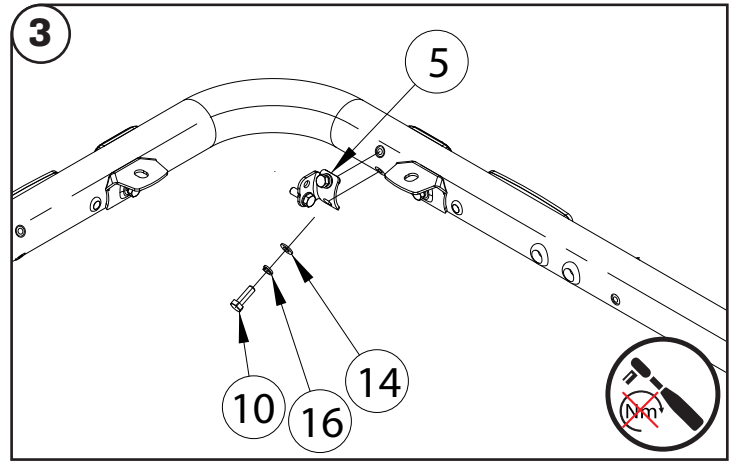
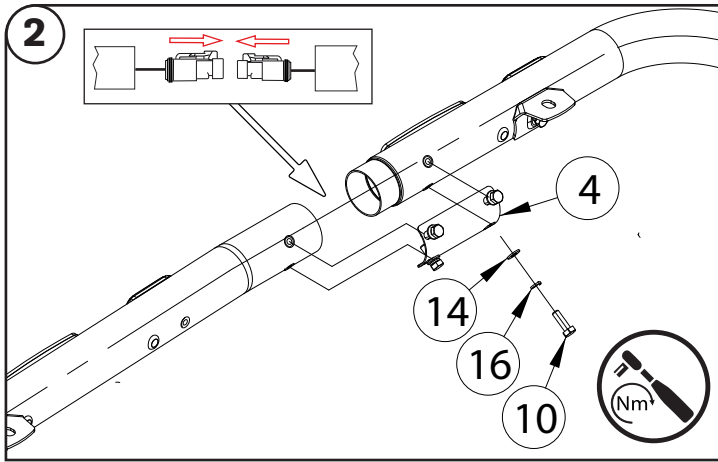
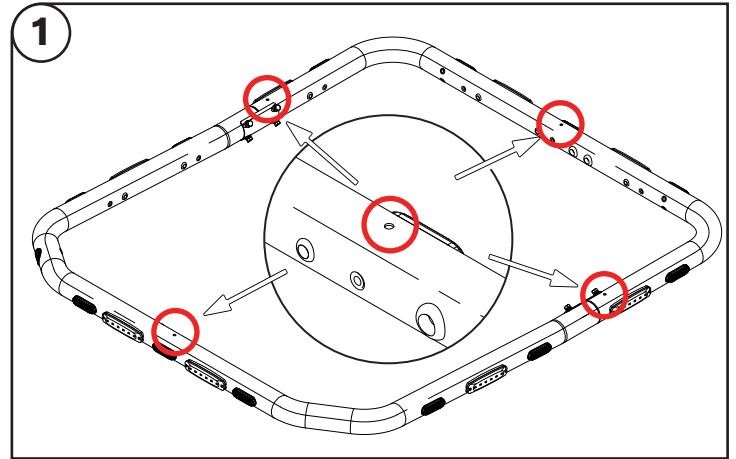
Lamp holder



To prevent cold welding, use cold weld grease or engine oil



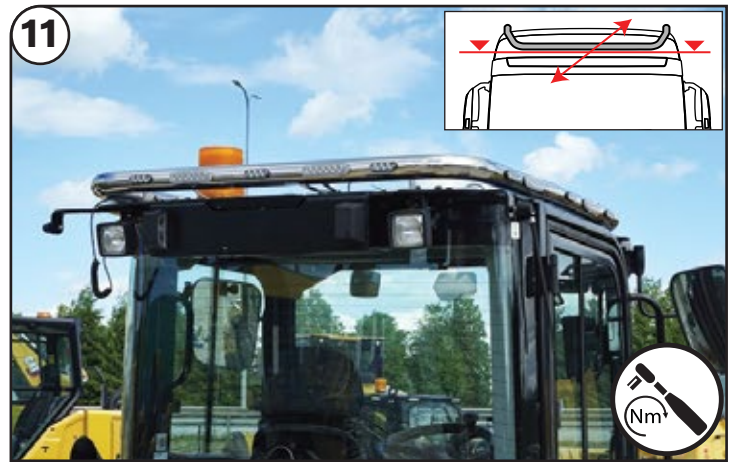
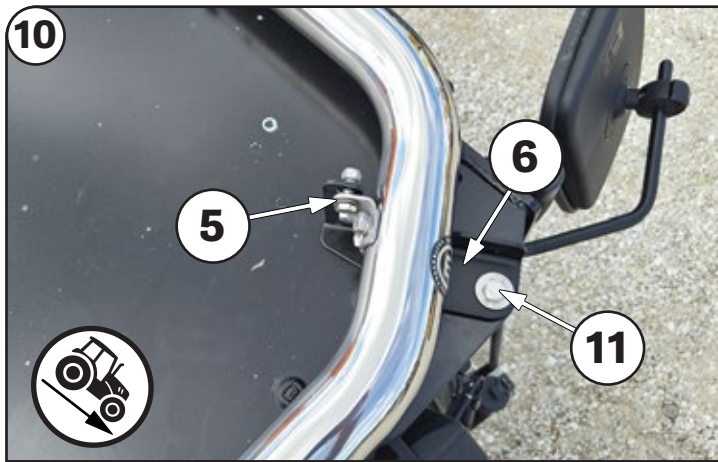
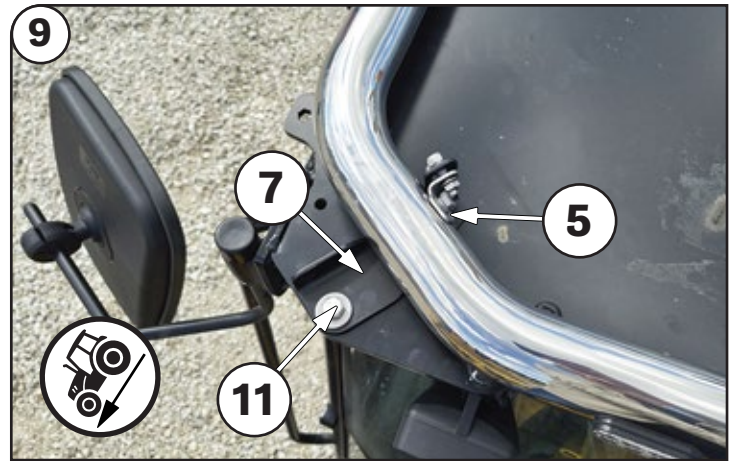
Installation of the lights must be carried out by a qualified electrician only



# Cat 906-14

Art. 88605070, 88605071

Lamp holder



Check and retighten the fasteners:  
Road vehicles: every 10 000km  
Heavy machinery: every 500 work hours



Clean the product twice a month to remove dirt, salt, and debris that may cause surface discoloration or rust spots

In case of any defects or damage to the METEC product upon delivery, contact the reseller or point of sale where you made your purchase for resolution

