



## Cat 906-14

Mounting instructions  
 Art. 88605170, 88605171  
 Lamp holder for hood

Scan the QR code  
 for translated  
 instructions or visit  
[metec.ee/instructions](http://metec.ee/instructions)



Weight: 9,1 kg  
 Time of mounting w/o wiring: 60 min

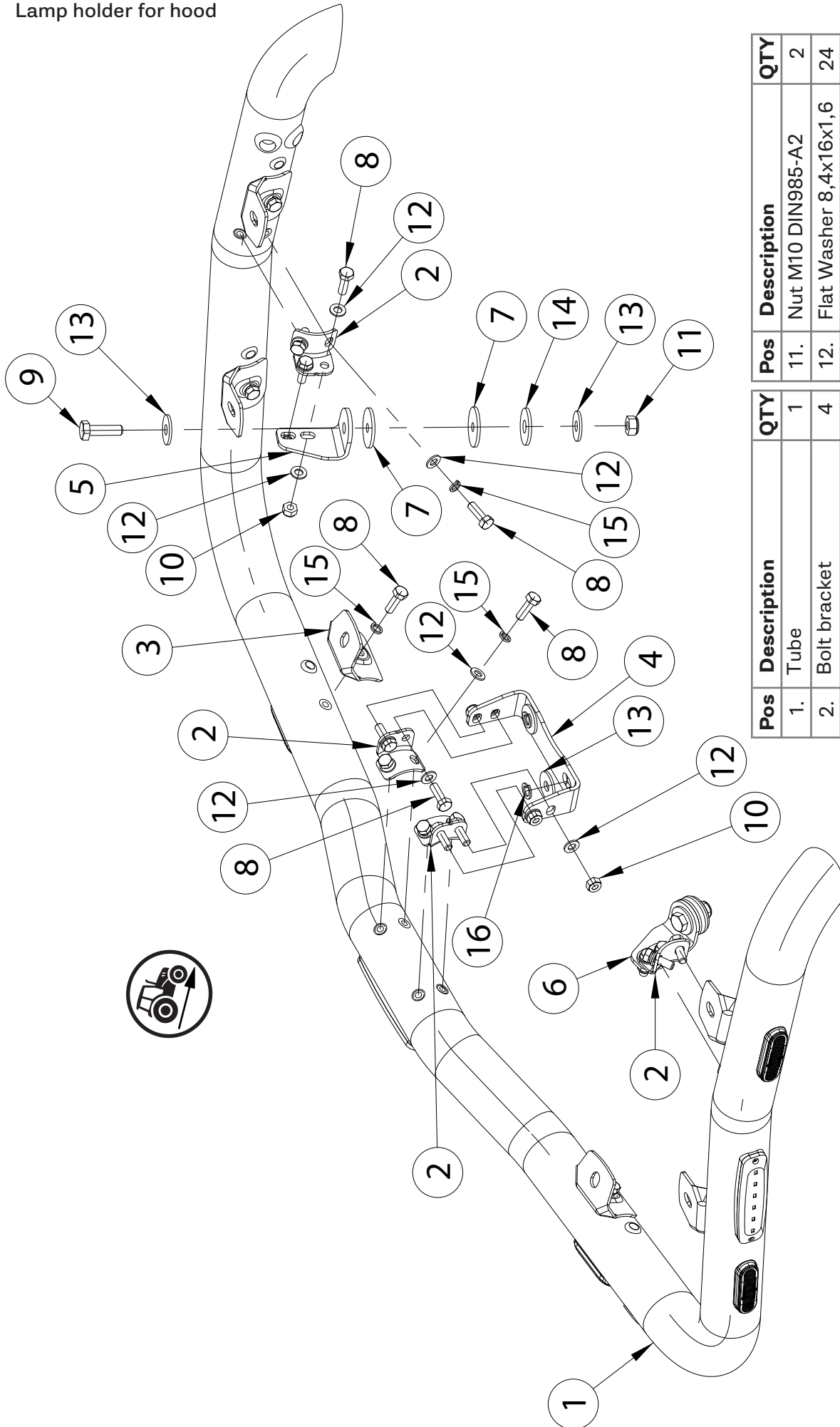
### Required tools:



<b>A2 / A4</b>
<b>M8 - 17 Nm</b>
<b>M10 - 33 Nm</b>

# Cat 960-14

Art. 88605170, 88605171  
Lamp holder for hood



Pos	Description	QTY
1.	Tube	1
2.	Bolt bracket	4
3.	Lamp fixing bracket	6
4.	Bracket	1
5.	Bracket	1
6.	Bracket	1
7.	Rubber washer	4
8.	Bolt M8x25 DIN933-A2	22
9.	Bolt M10x35 DIN933-A2	2
10.	Nut M8 DIN985-A2	1
11.	Nut M10 DIN985-A2	2
12.	Flat Washer 8,4x16x1,6	24
13.	Flat Washer 10,5x30x2,5	6
14.	Flat Washer 13x37x3	2
15.	Spring washer A8	14
16.	Spring washer A10	2

# Cat 960-14

Art. 88605170, 88605171

Lamp holder for hood

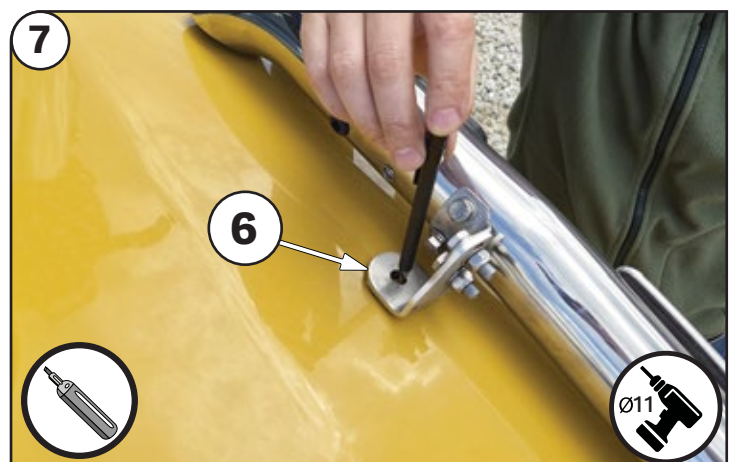
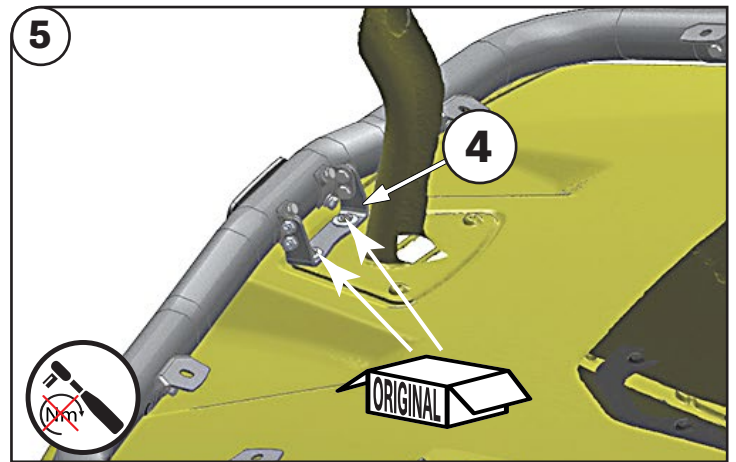
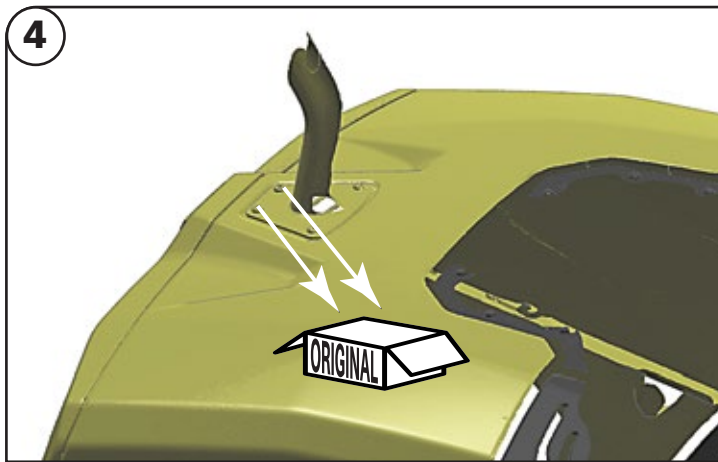
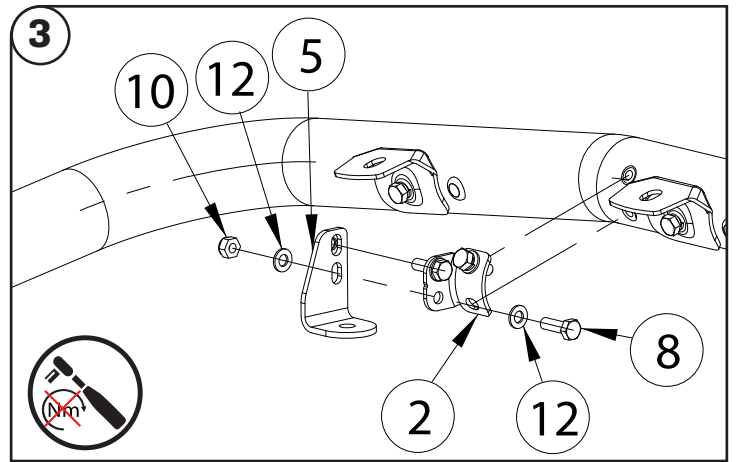
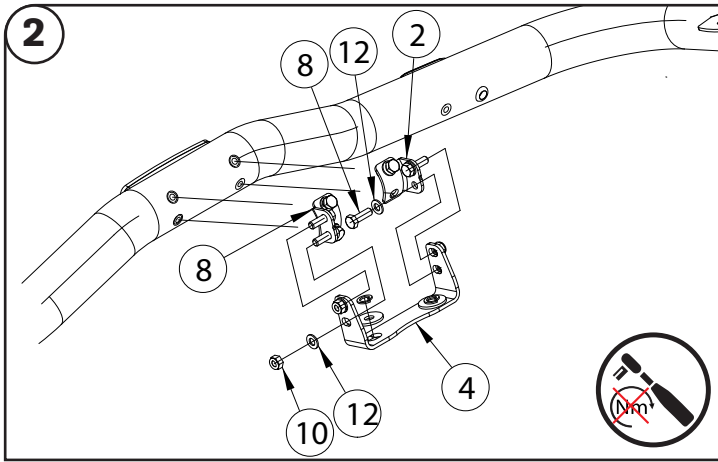
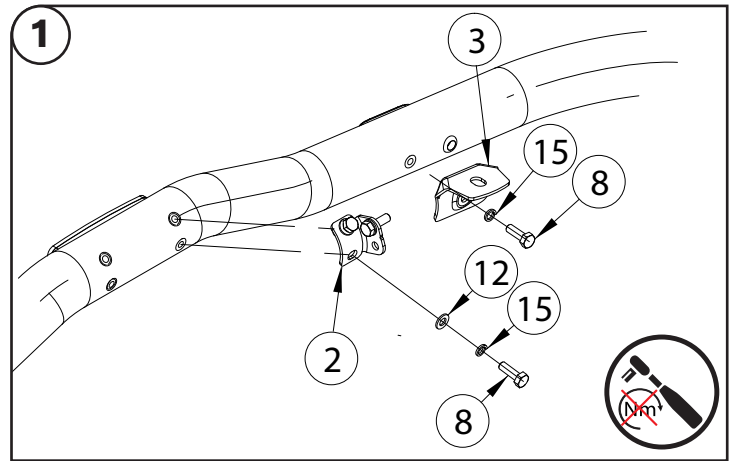
## NB!



To prevent cold welding, use cold weld grease or engine oil



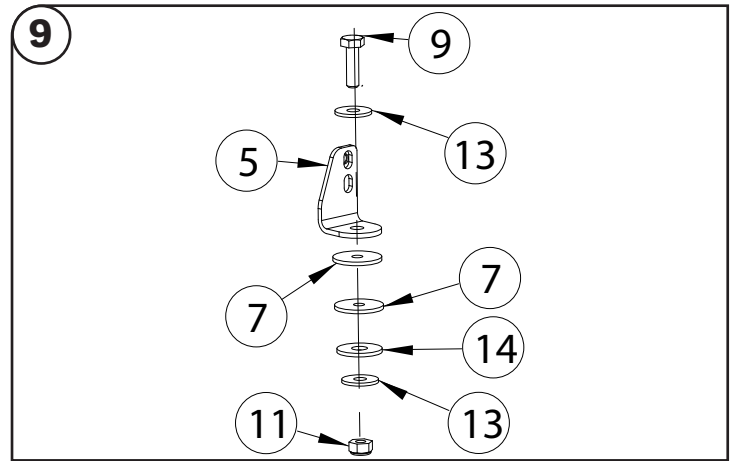
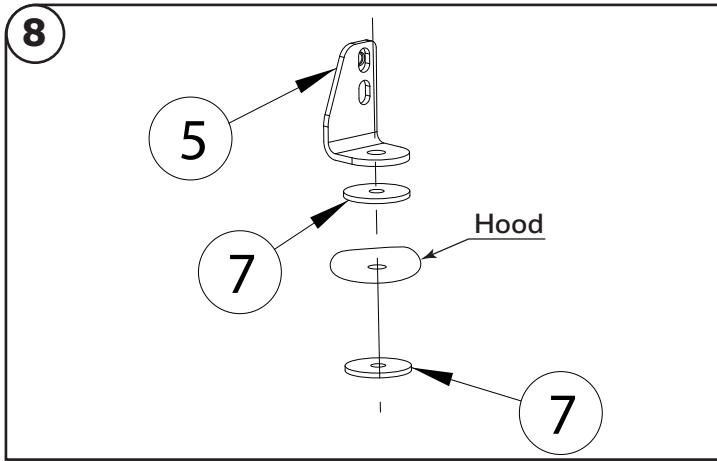
Installation of the lights must be carried out by a qualified electrician only



# Cat 960-14

Art. 88605170, 88605171

Lamp holder for hood

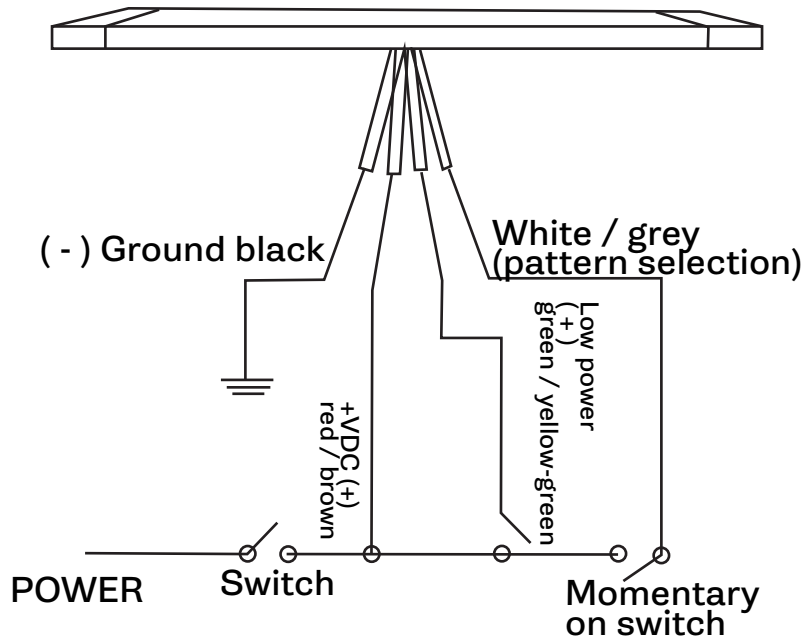


Check and retighten the fasteners:  
Road vehicles: every 10 000km  
Heavy machinery: every 500 work hours



Clean the product twice a month to remove dirt, salt, and debris that may cause surface discoloration or rust spots

## Flashlights (F) cord designation



In case of any defects or damage to the METEC product upon delivery, contact the reseller or point of sale where you made your purchase for resolution