



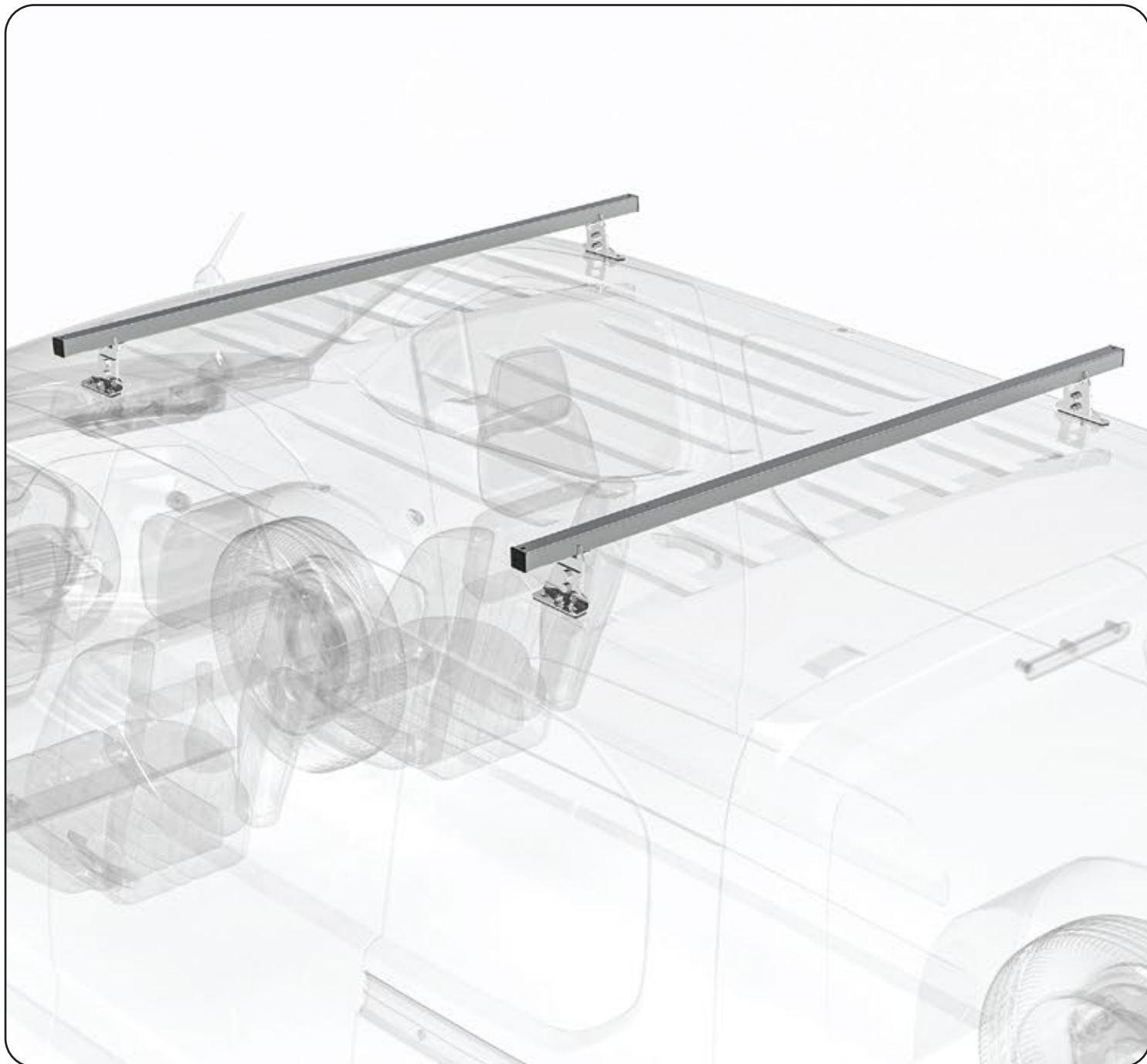
Mounting instructions

Art. 888693

Crossbeam for roof rack

Citroen Berlingo 2018-2023;
Citroen Berlingo 2024-;
Opel Combo 2018-;
Peugeot Partner 2018-2024;
Peugeot Partner 2024-;
Toyota Proace City 2020-2024;
Toyota Proace City 2024-
KIA PV5 2026-

Scan the QR code
for translated
instructions or visit
metec.ee/instructions



Weight: 2,4 kg

Time of mounting w/o wiring: 30 min

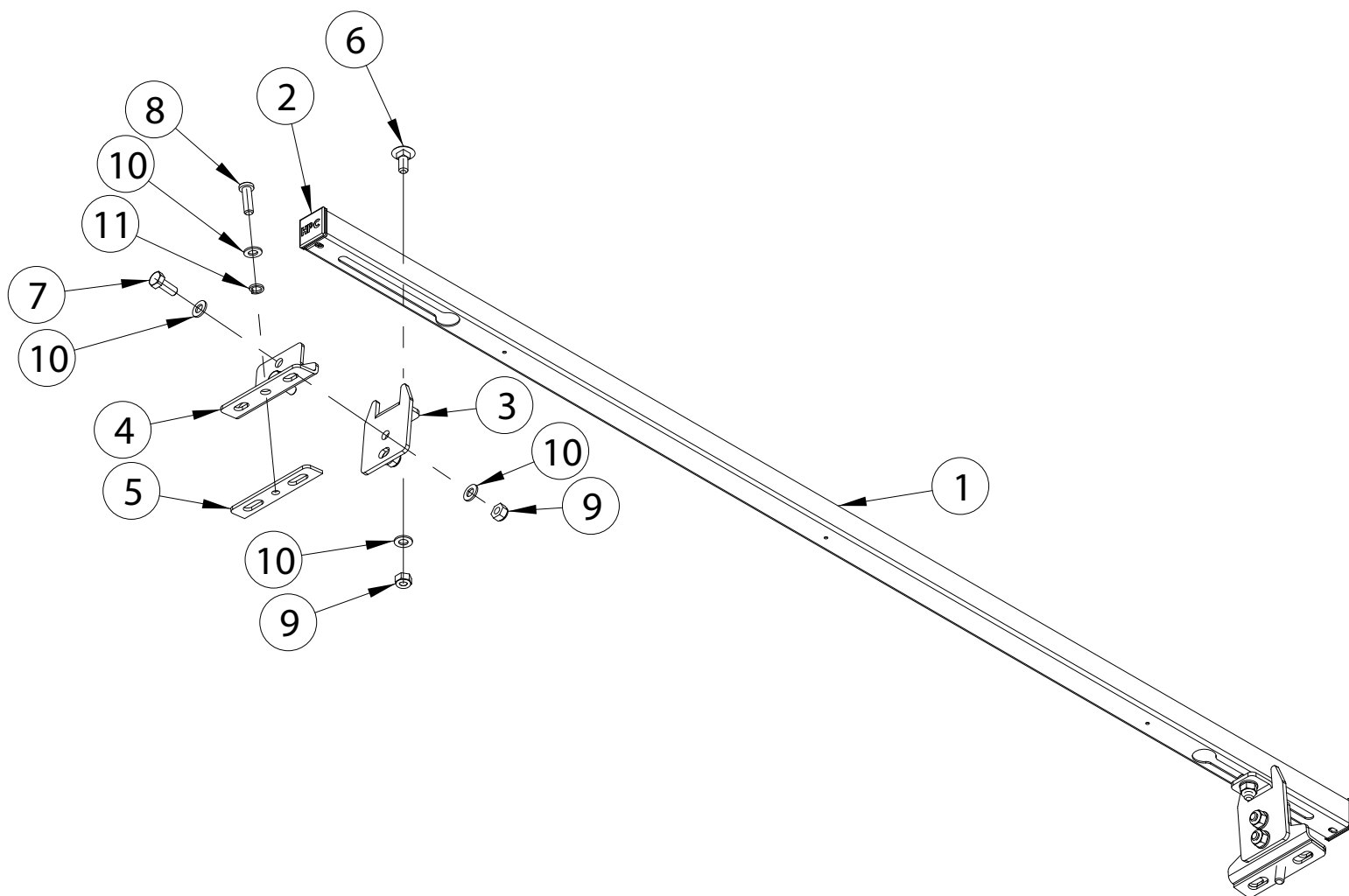
Required tools:



A2 / A4

M8 - 17 Nm

Art. 888693
 Crossbeam for roof rack



NB!

Pos	Description	QTY
1.	Tube 30x30 L=1275	1
2.	Plastic cover PE VL30x30x1-3	2
3.	Bracket	2
4.	Bracket	2
5.	Compensator s=3, with tape	2
6.	Bolt M8x20 DIN603-A2	2
7.	Bolt M8x20 DIN933-A2	4
8.	Bolt M8x25 DIN7380-A2	2
9.	Nut M8 DIN985-A2	6
10.	Flat Washer 8,4x16x1,6	12
11.	Spring washer A8	2



To prevent cold welding, use cold weld grease or engine oil



Check and retighten the fasteners:
 Road vehicles: every 10 000km
 Heavy machinery: every 500 work hours



Clean the product twice a month to remove dirt, salt, and debris that may cause surface discoloration or rust spots